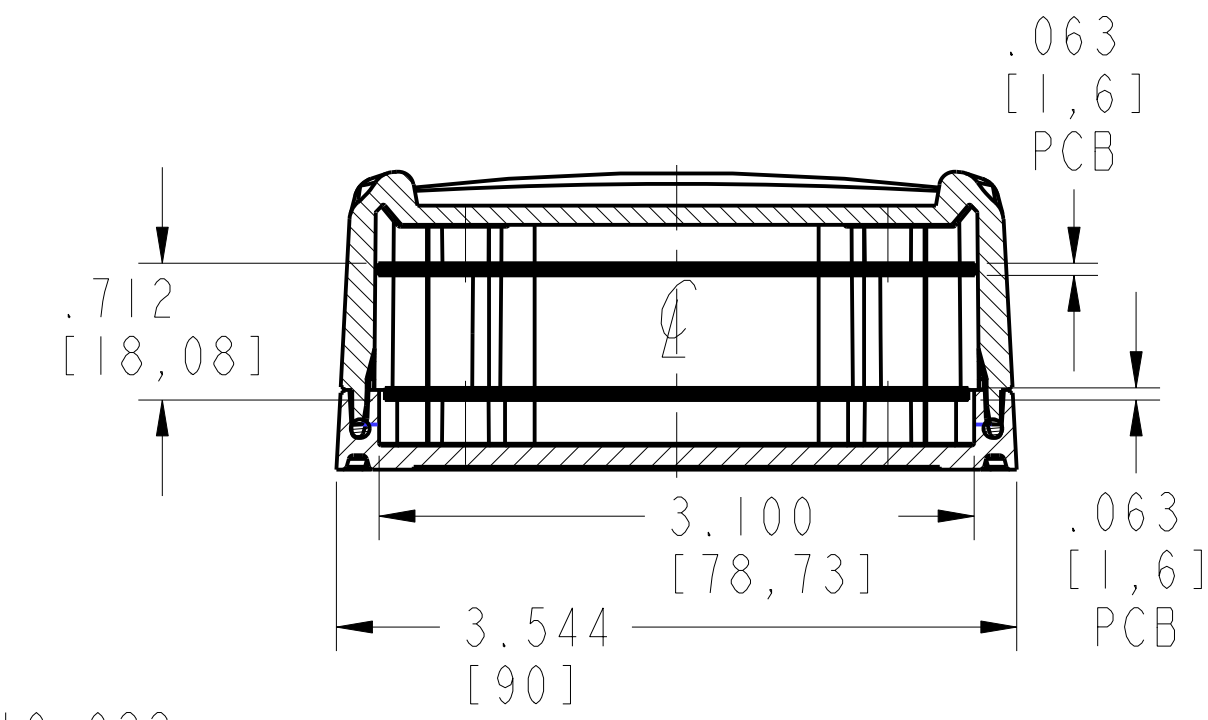
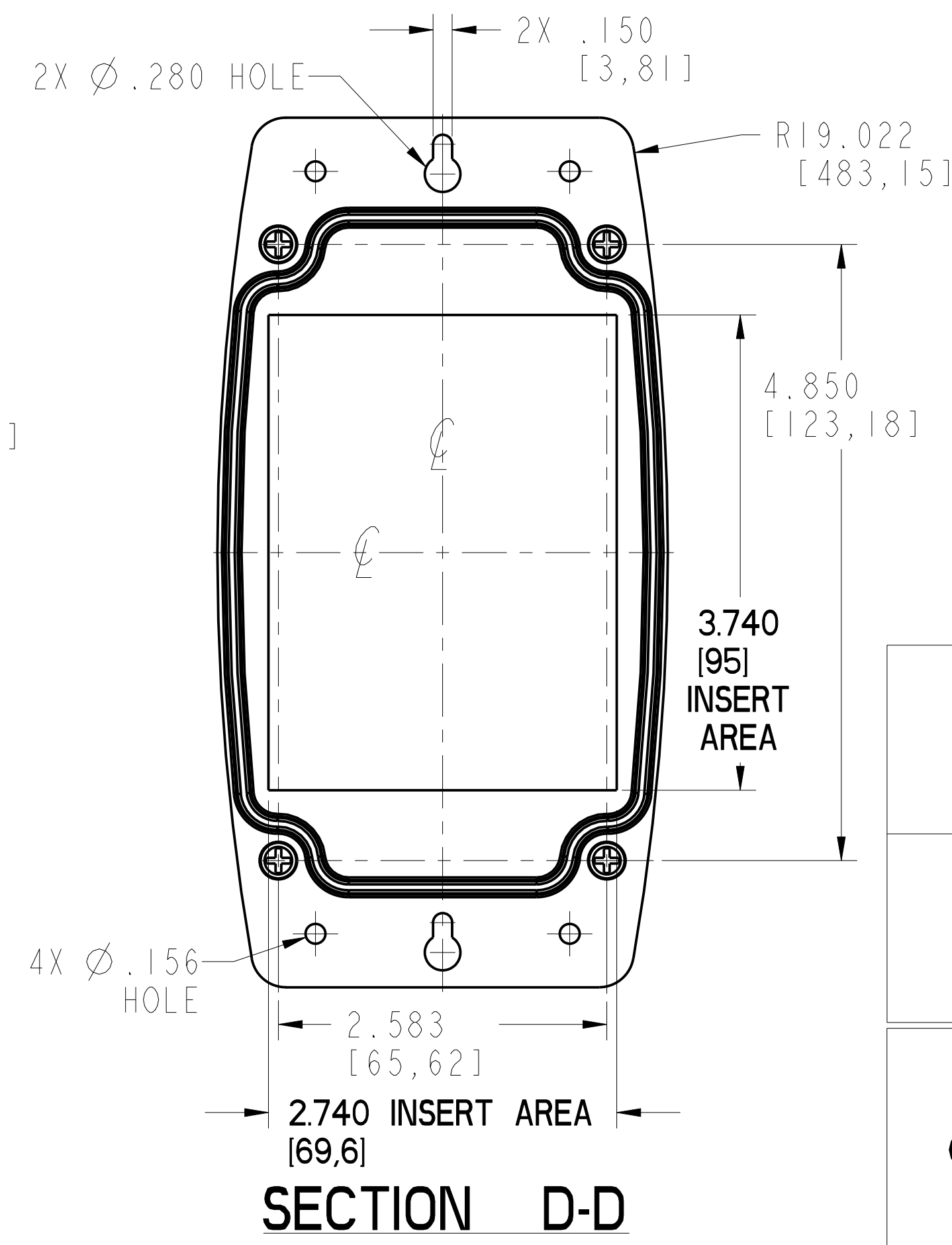
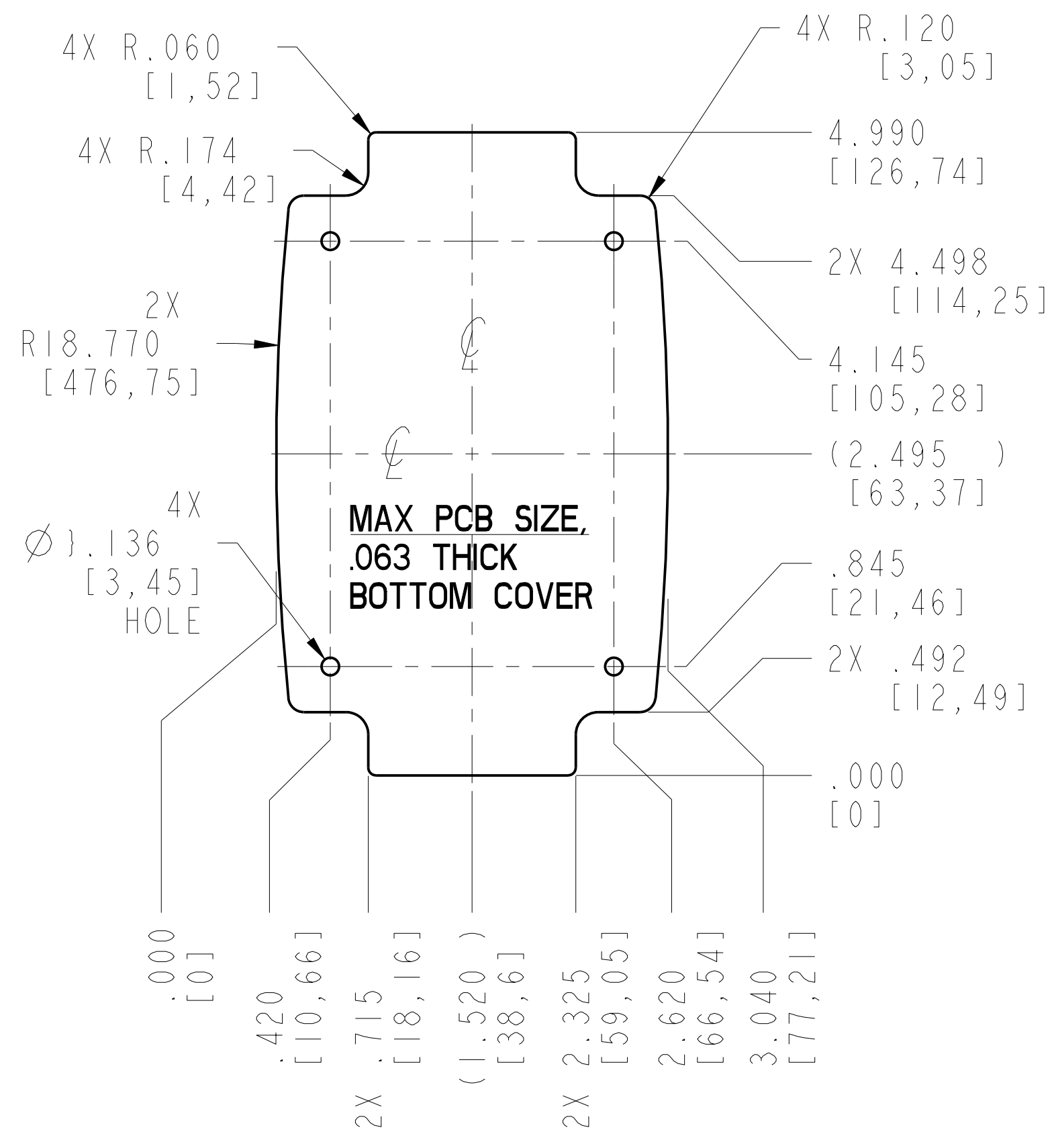
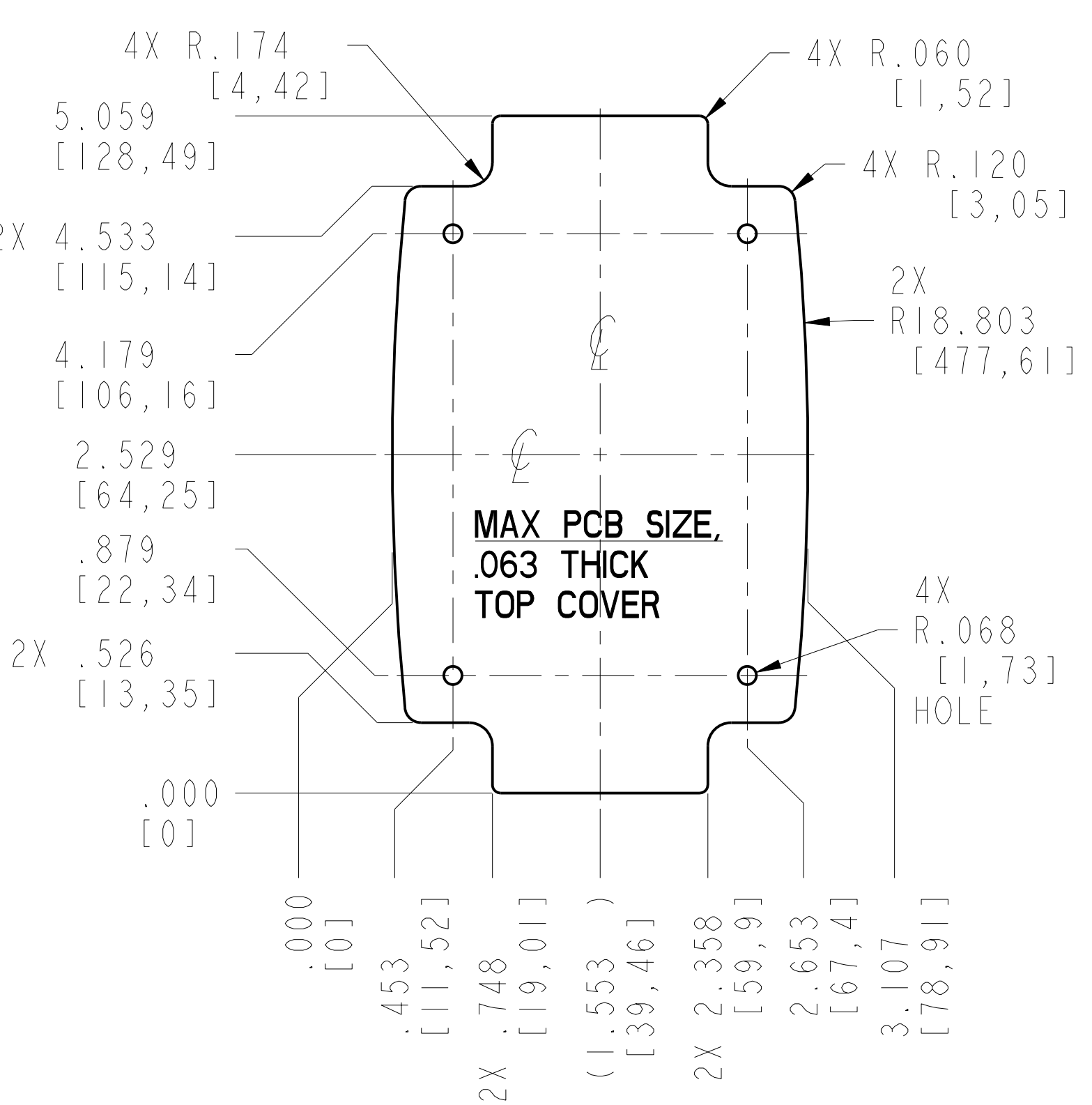
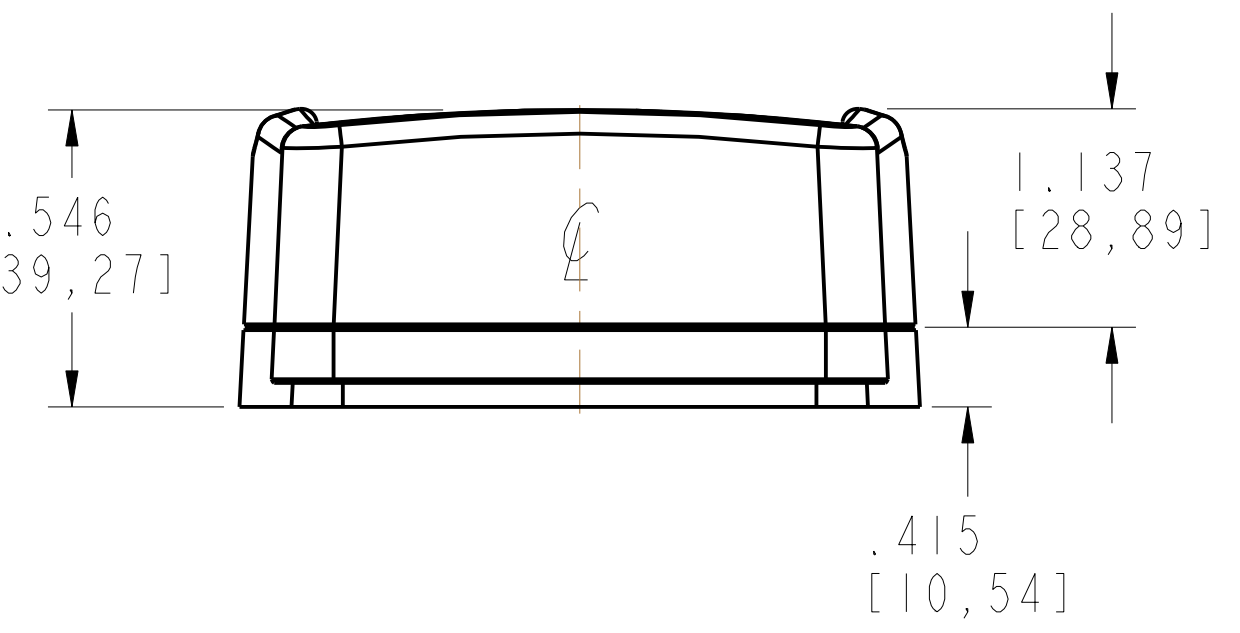


SECTION B-B

SECTION C-C



SECTION A-A



SECTION D-D

NOTES:

1. USE #4 TYPE "B" THREAD FORMING SCREWS X .25 [6,3] LONG TO MOUNT CIRCUIT CARD ASSEMBLY.
2. RECOMMENED ASSEMBLY SCREW TORQUE SETTING IS 5 INCH-POUNDS.
3. TO MAINTAIN IP67 RATING USE THE GASKET ONCE; IF OPENING UNIT TO SERVICE MUST REPLACE GASKET.

**PACINTEC**<sup>®</sup>  
1-610-361-4231

**OD45**

VISIT **PACINTEC**<sup>®</sup>  
ON THE WORLD WIDE WEB  
[www.pactecenclosures.com](http://www.pactecenclosures.com)

MATERIAL:  
POLYCARBONATE (HB)  
WITH UV STABILIZER  
  
COLOR:  
LIGHT GRAY #332

INSERT AREAS ARE SECTIONS IN OUR TOOLS THAT CAN BE REMOVED AND REPLACED WITH CUSTOMER SPECIFIC DETAILS