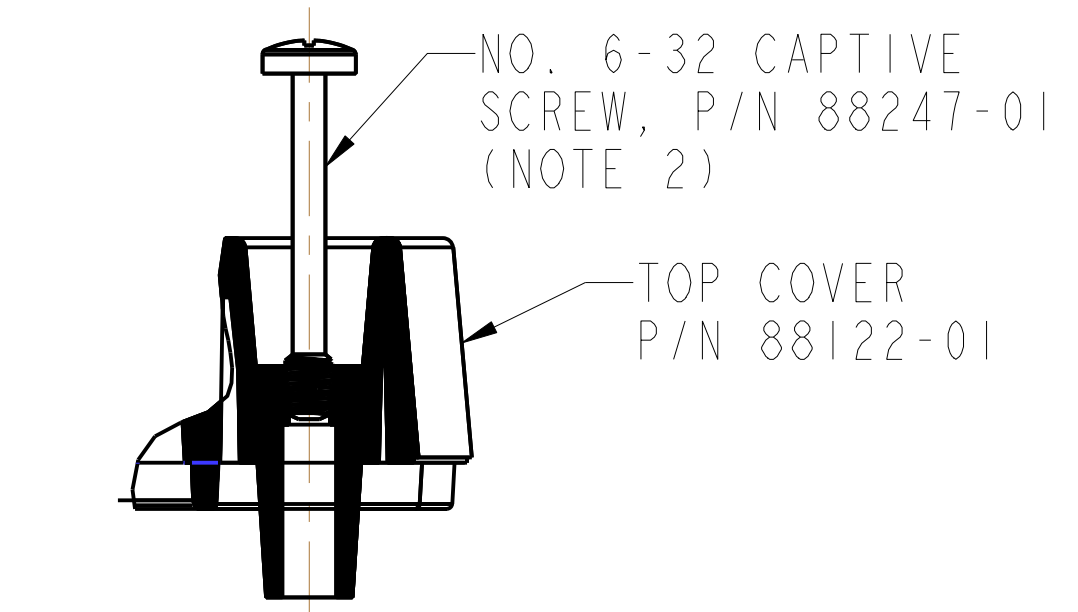


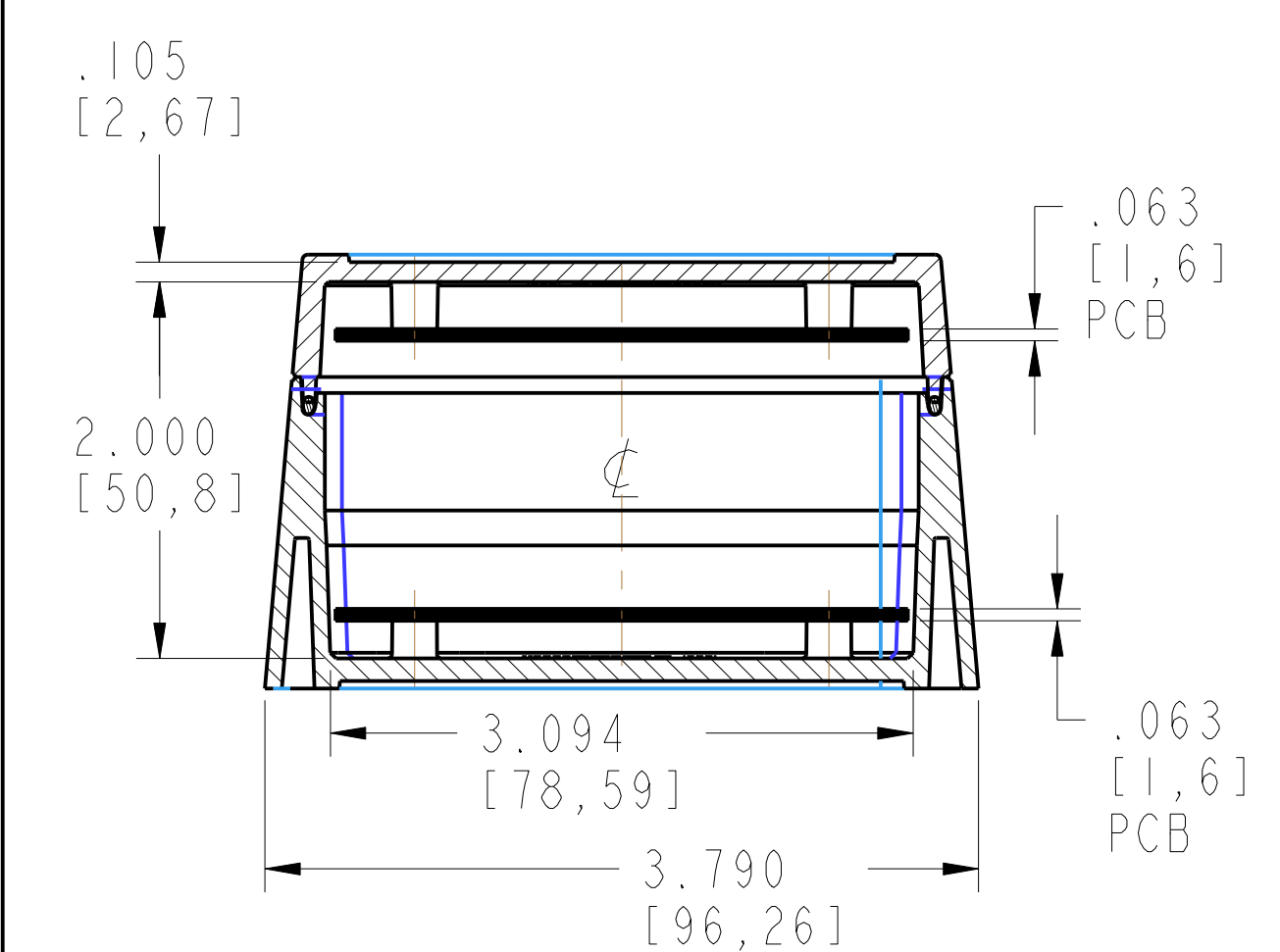
SECTION C-C

SECTION B-B

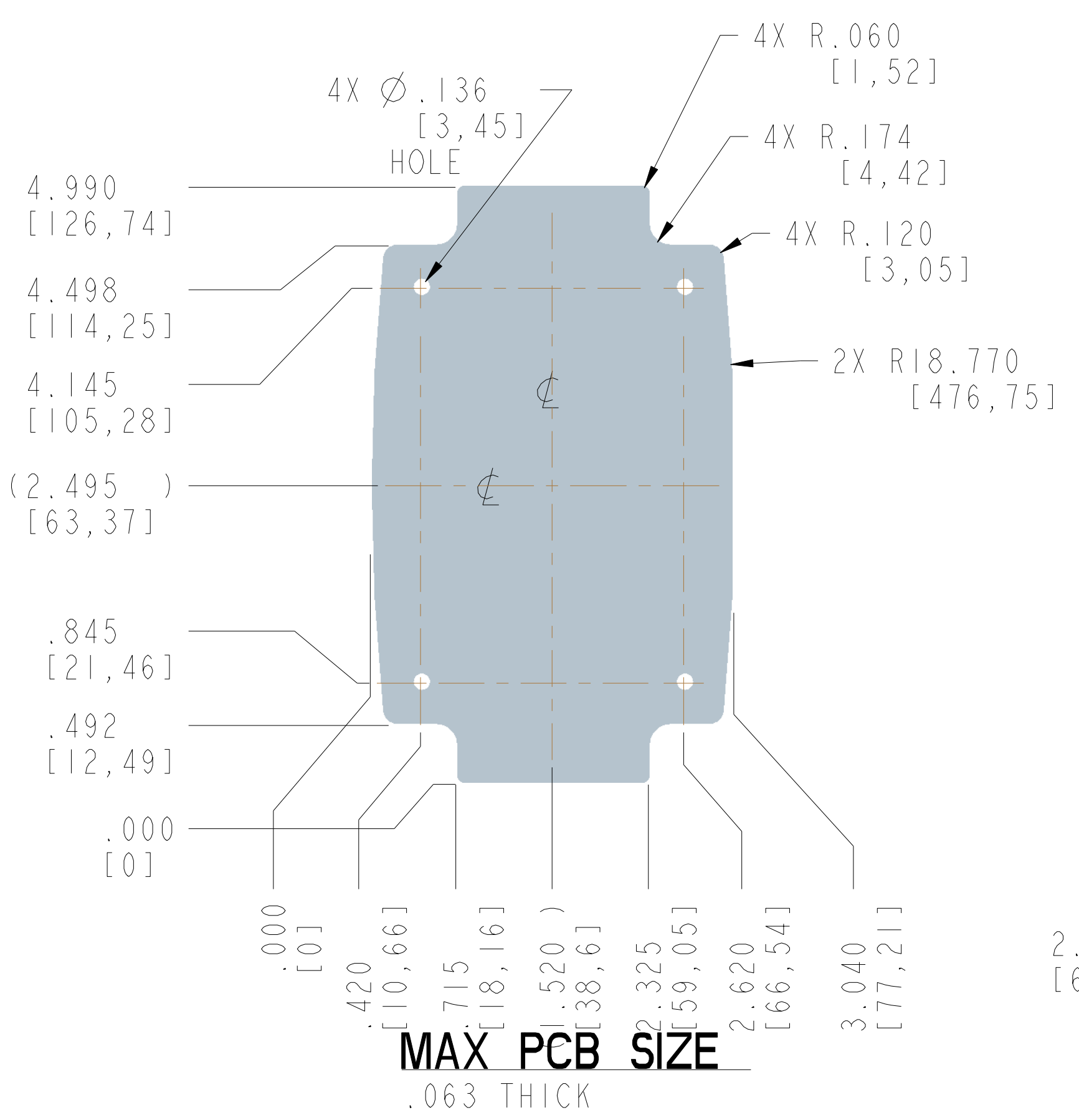


ASSEMBLY INFORMATION VIEW

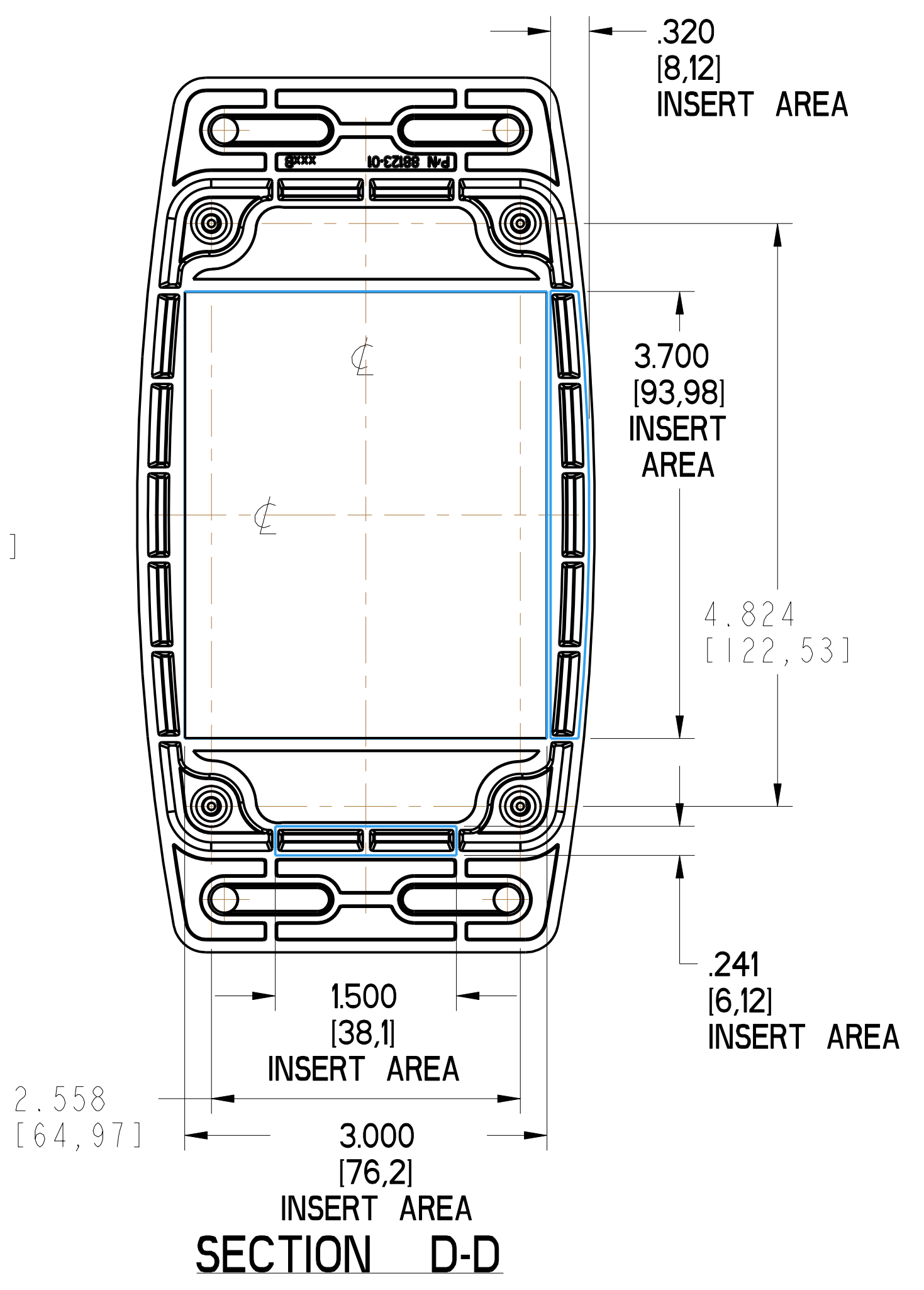
- NOTES:
1. USE #4 TYPE "B" THREAD FORMING SCREWS X .25" [6.3] LONG TO MOUNT CIRCUIT CARD ASSEMBLY.
 2. ASSEMBLY SCREW NEEDS TO BE THREADED THRU THE TOP COVER FOR INITIAL USE OF THE ENCLOSURE.
 2. RECOMMENED ASSEMBLY SCREW TORQUE SETTING IS 5 INCH-POUNDS.
 4. TO MAINTAIN IP67 RATING USE THE GASKET ONCE; IF OPENING UNIT TO SERVICE MUST REPLACE GASKET.



SECTION A-A



MAX PCB SIZE
.063 THICK



SECTION D-D

PACINTEC[®]
1-610-361-4231

ODTM45-2.0

VISIT **PACINTEC**[®]
ON THE WORLD WIDE WEB
www.pactecenclosures.com

MATERIAL:
POLYCARBONATE (HB)
WITH UV STABILIZER

COLOR:
LIGHT GRAY #332

INSERT AREAS ARE SECTIONS IN OUR TOOLS
THAT CAN BE REMOVED AND REPLACED WITH
CUSTOMER SPECIFIC DETAILS

DRAWING NUMBER	REV
88124	B