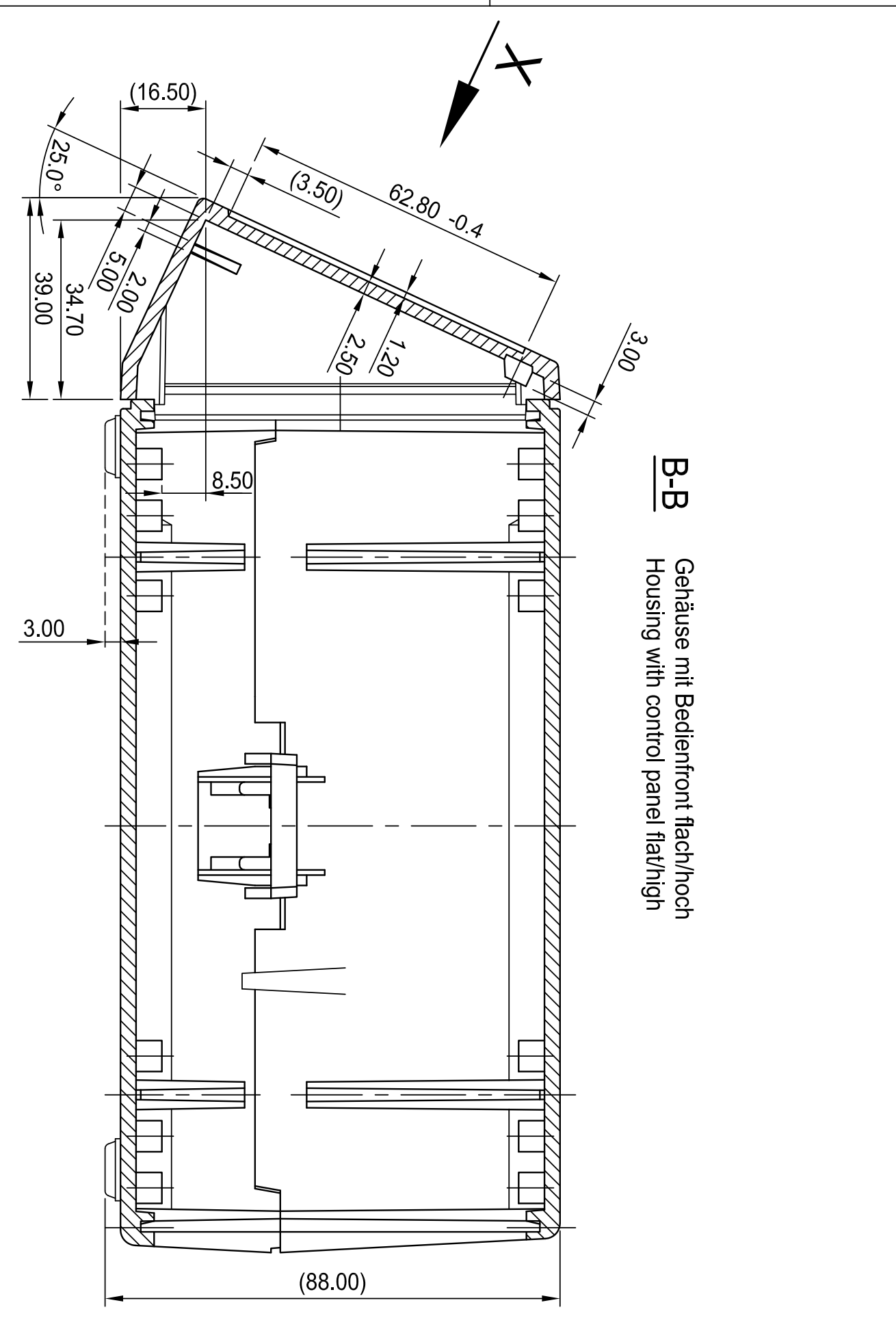
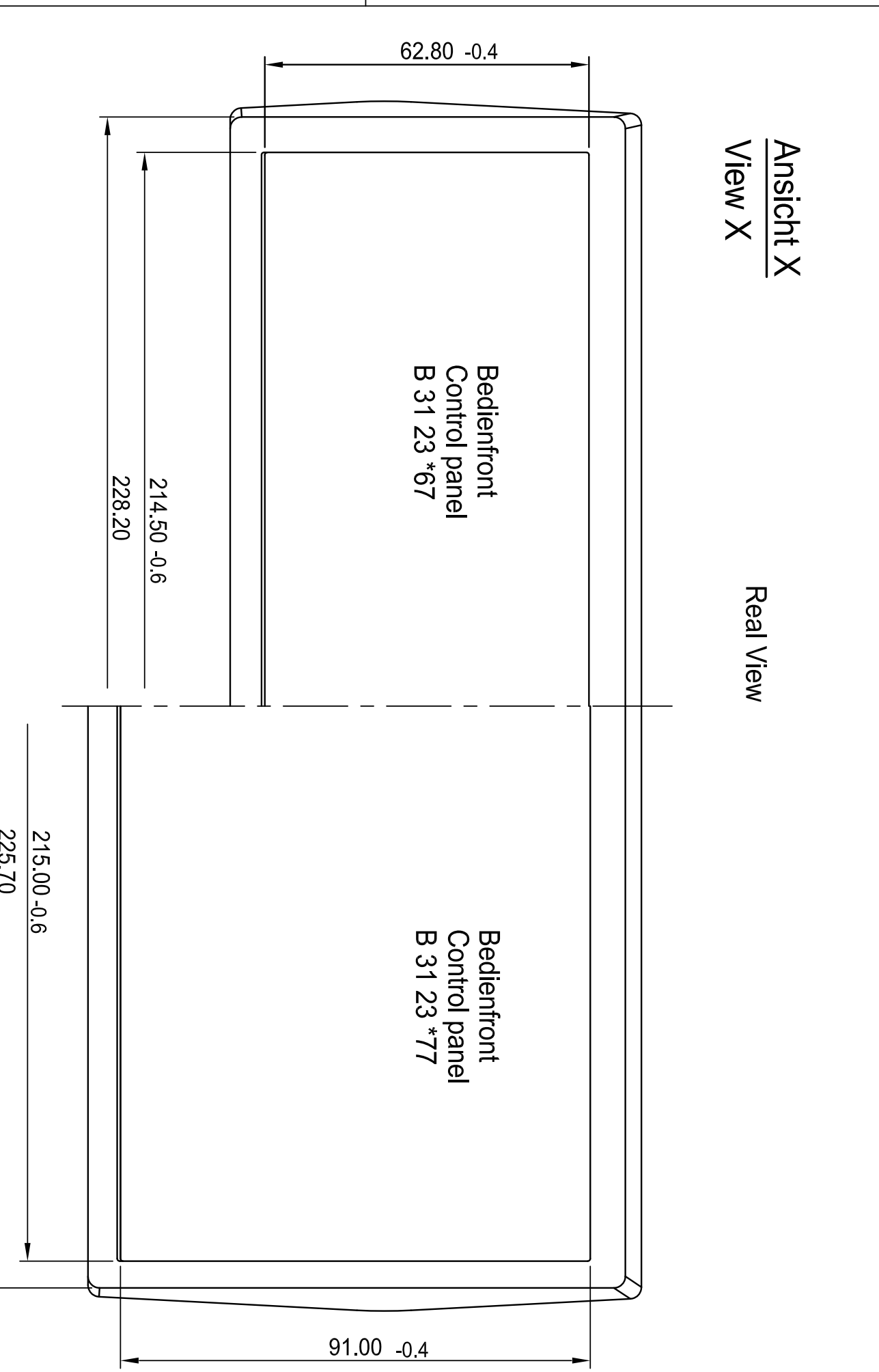
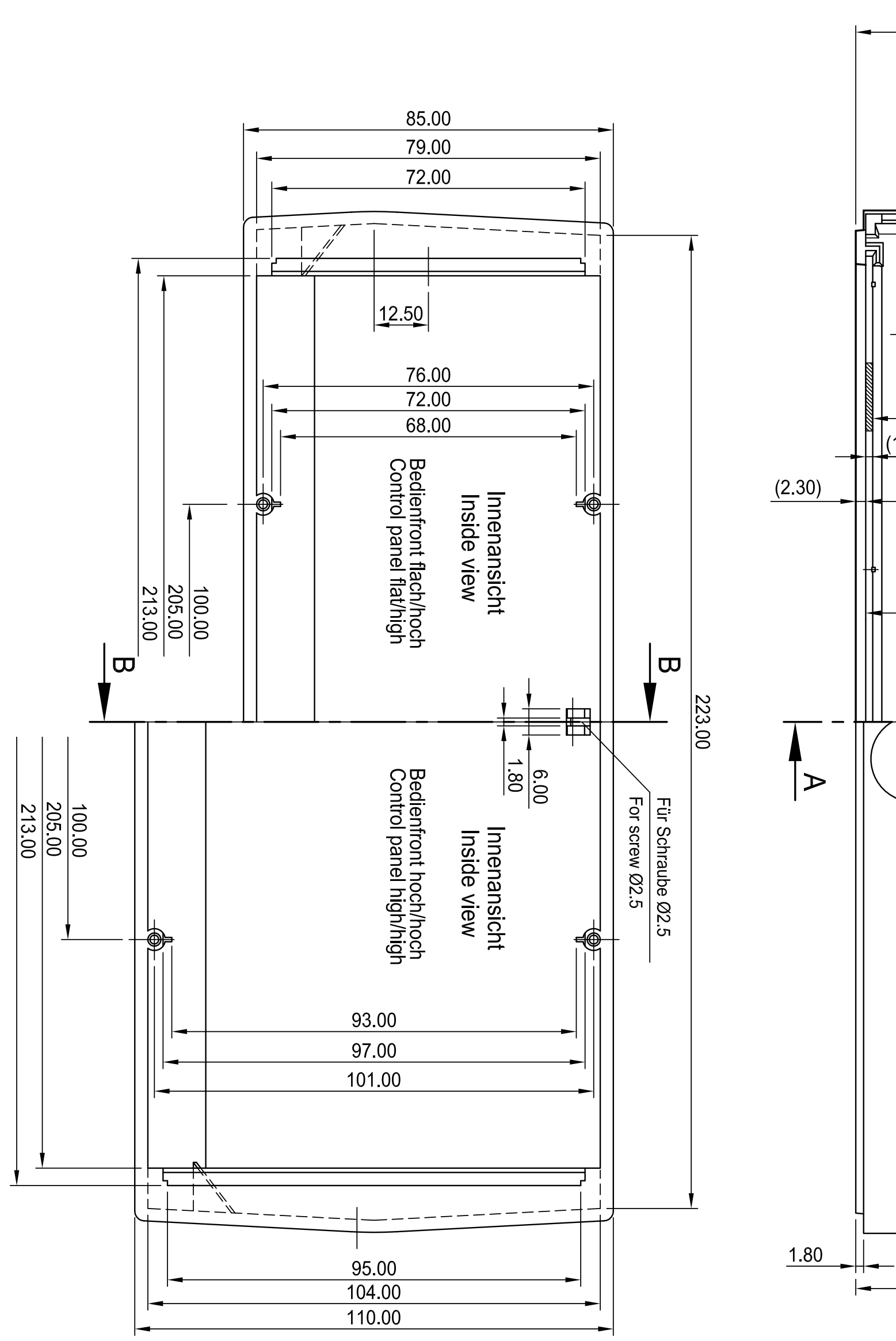
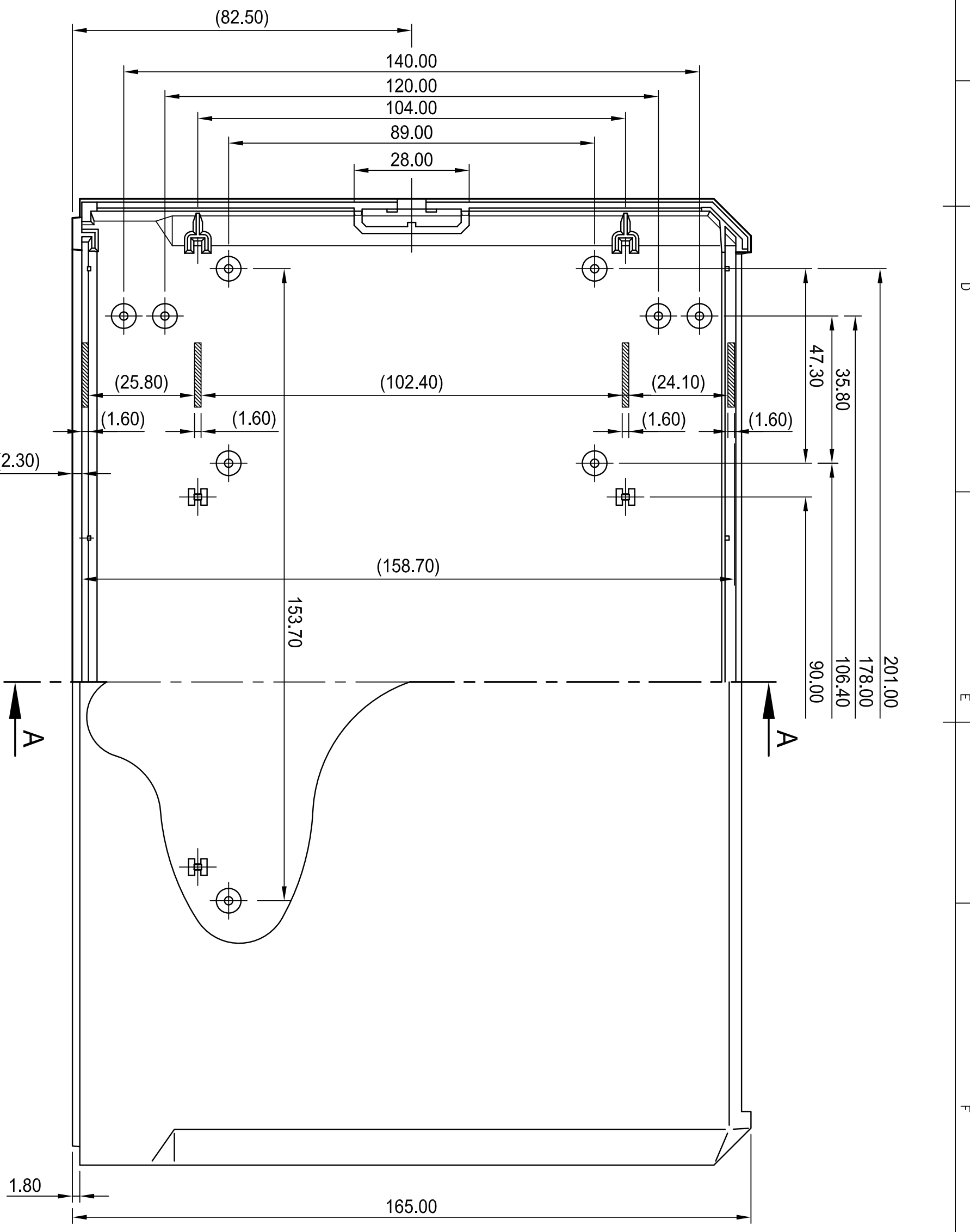


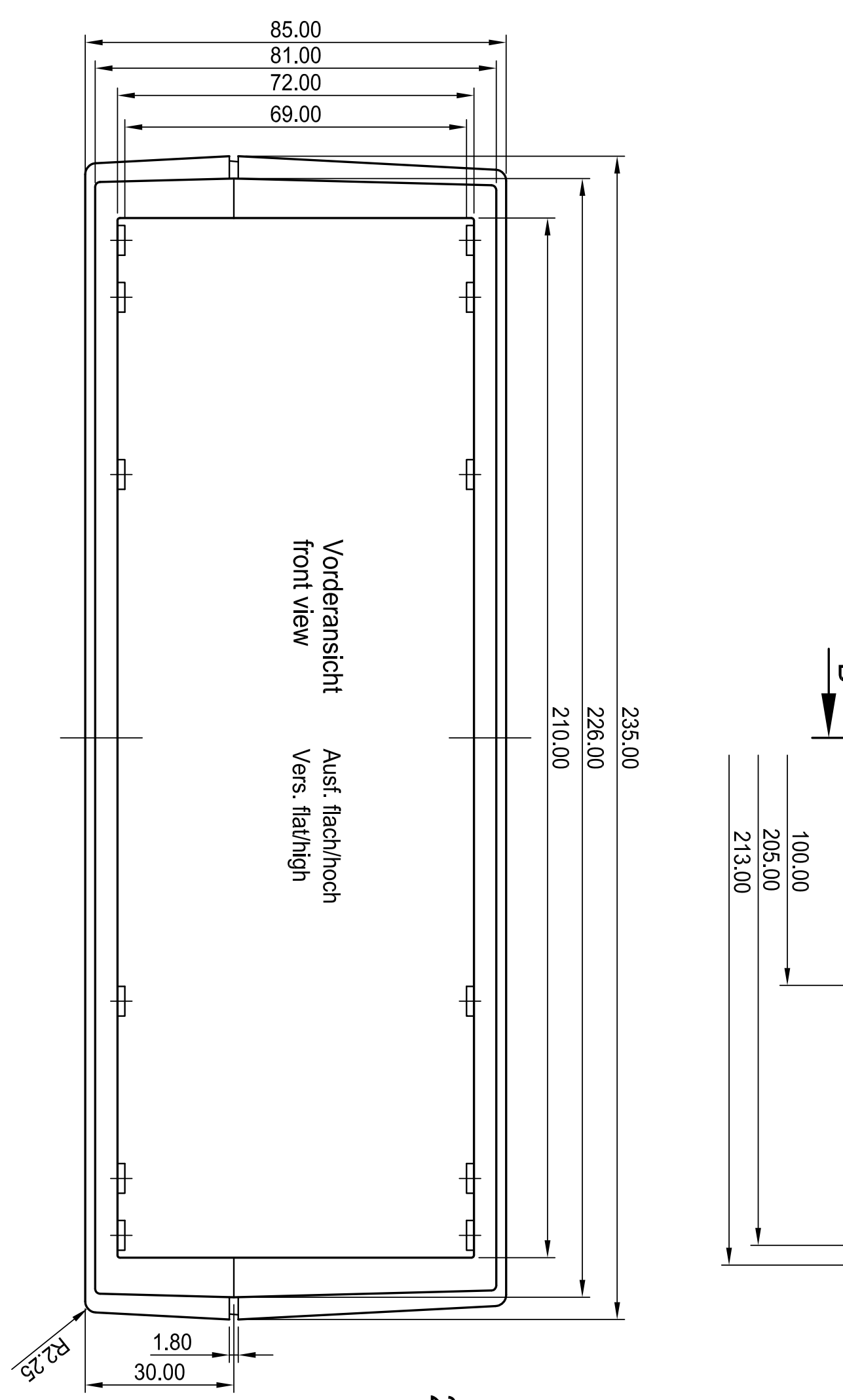
B-B Gehäuse mit Bedienfront hoch/hoch
Housing with control panel high/high



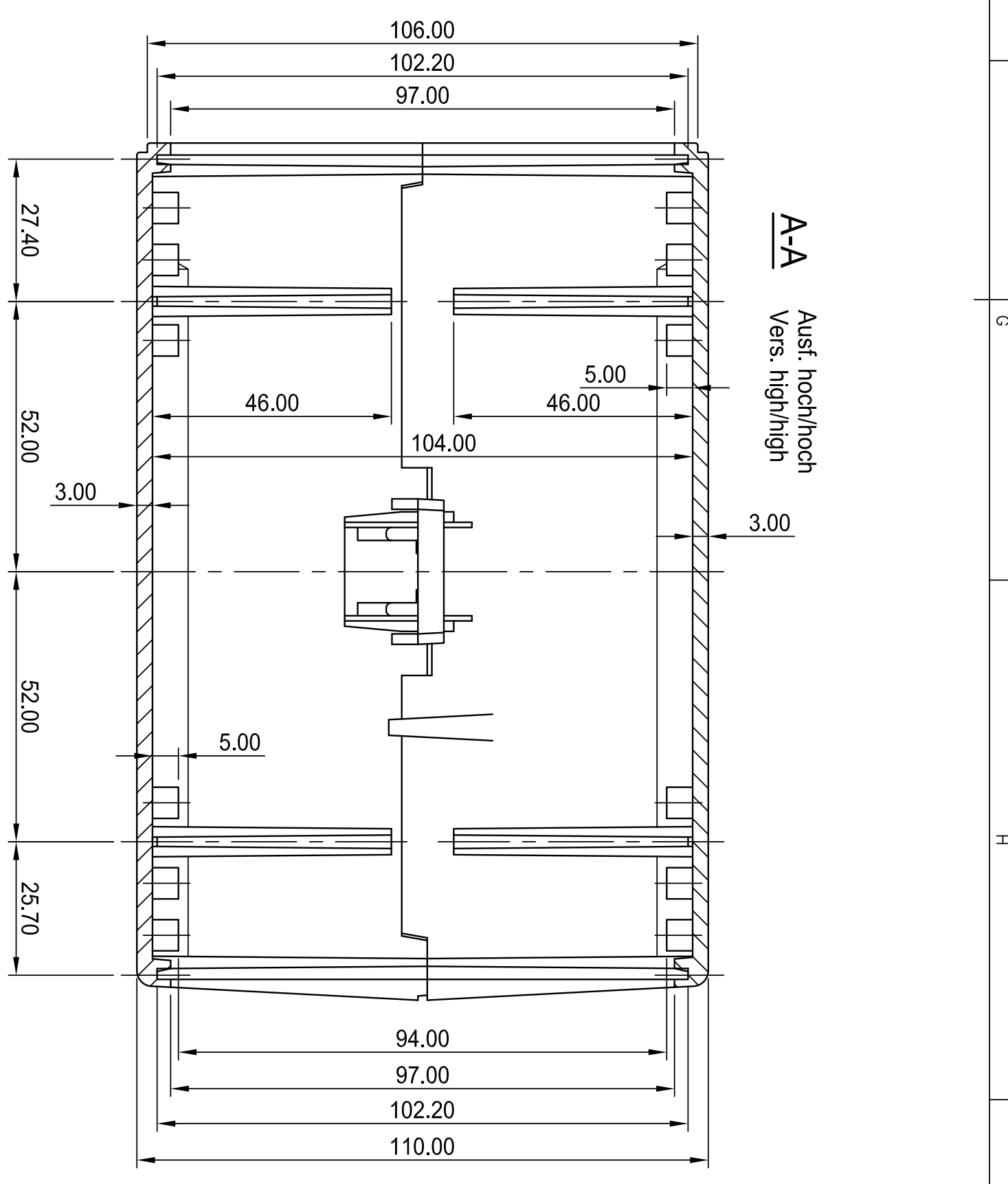
B-B Gehäuse mit Bedienfront flach/hoch
Housing with control panel flat/high



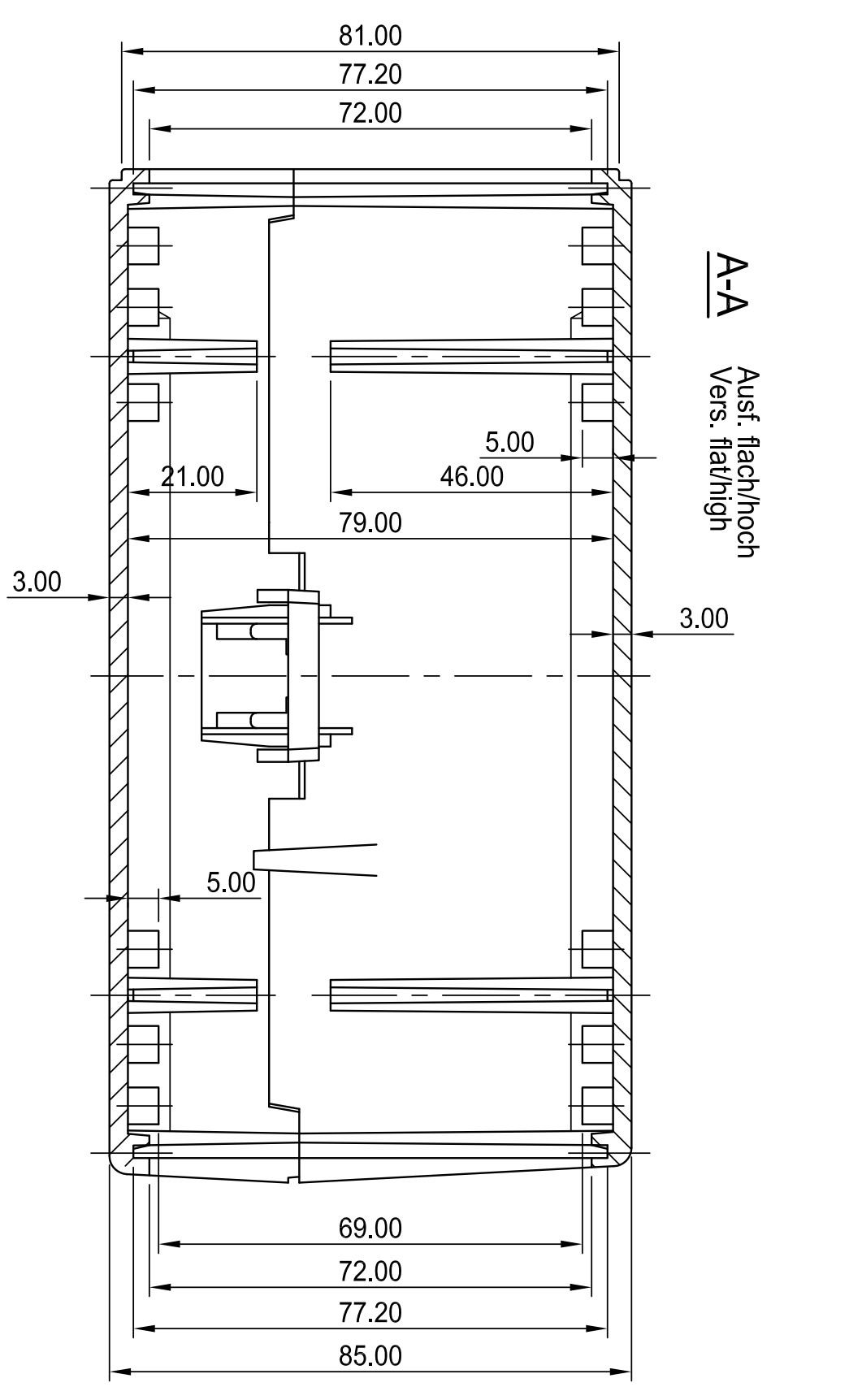
Ansicht X
View X
Real View



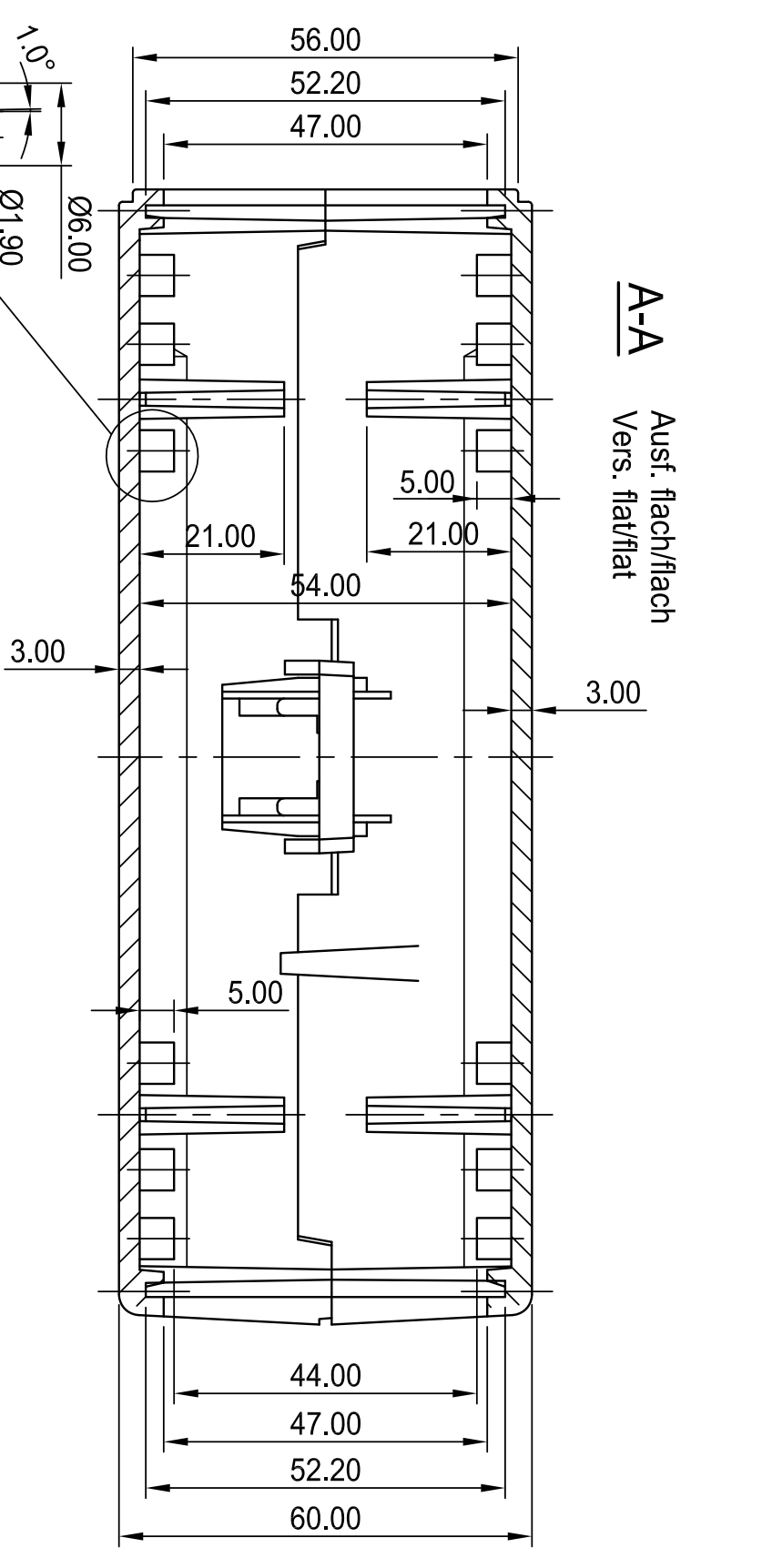
max. Plattengröße: 208 x 150 mm (Domansspannung unberücksichtigt)
max. size of PCB: 208 x 150 mm (outlets for pillars not taken into consideration)



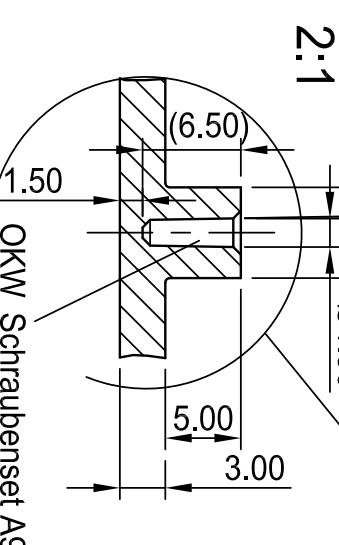
A-A Ausf. hoch/hoch
Vers. high/high



A-A Ausf. flach/hoch
Vers. flat/high



A-A Ausf. flach/flach
Vers. flat/flat



OKW Schraubenset A9199008 (4 Stück)
OKW Schraubenset A9199008 (4 pcs.)
Selbstf. Schrauben Ø2,5x6
Selftapping screws

Informationen		Information	
Bestell-Nr.	Order No.	Bestell-Nr.	Order No.
OGB 30 23 *3	235	165	110
OGB 30 23 *2	235	165	85
OGB 30 23 *1	235	165	60
OGB 30 23 *	L	B	H
OGB 30 23 *	L	W	H

Important notice: X, Y dimension and convergence of recessed area could vary. But cut of membrane foil must always be revolving undersized so that it match well with enclosure. Therefore, before starting serial outline cut, please check and adapt it with current samples.