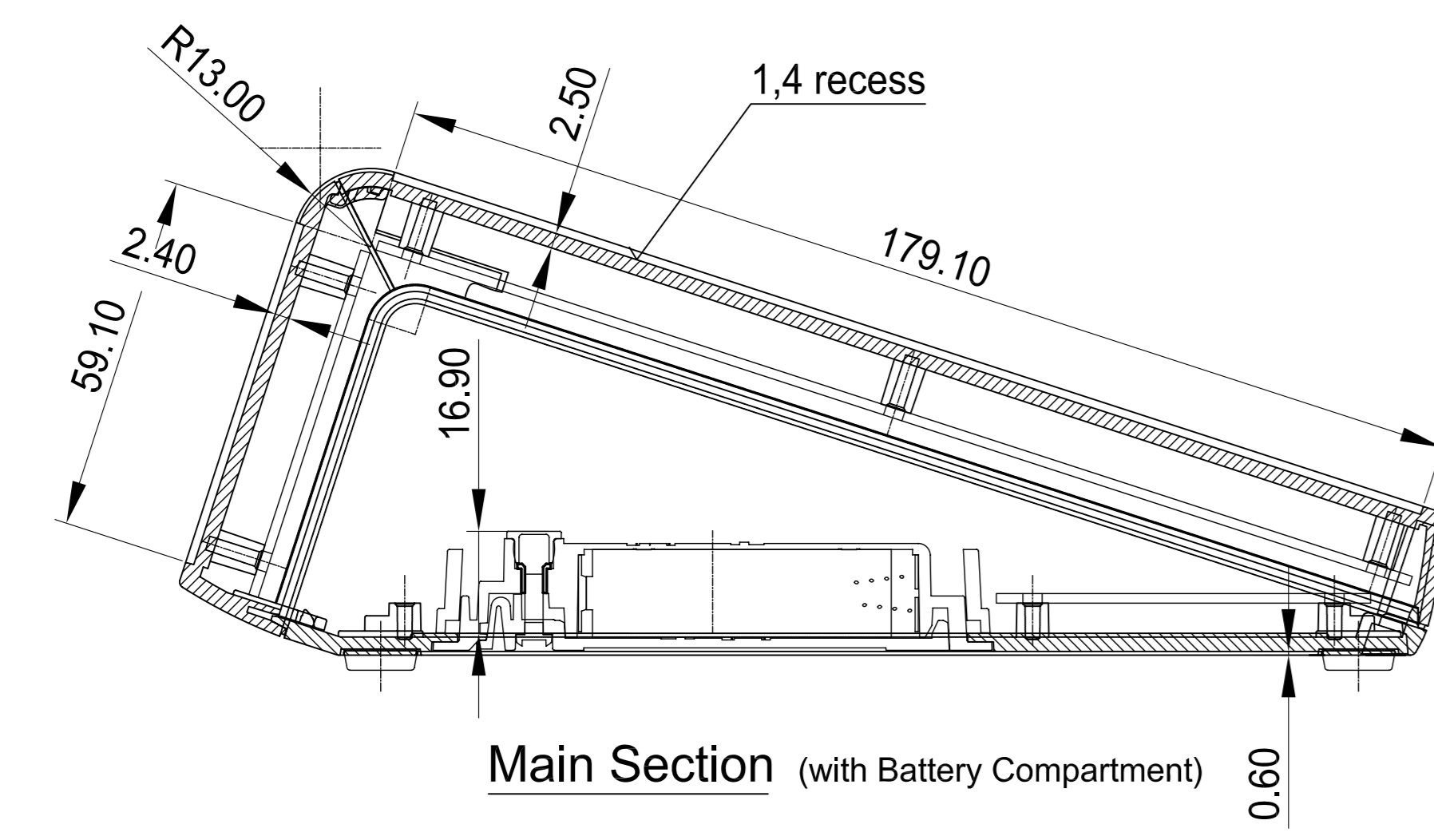
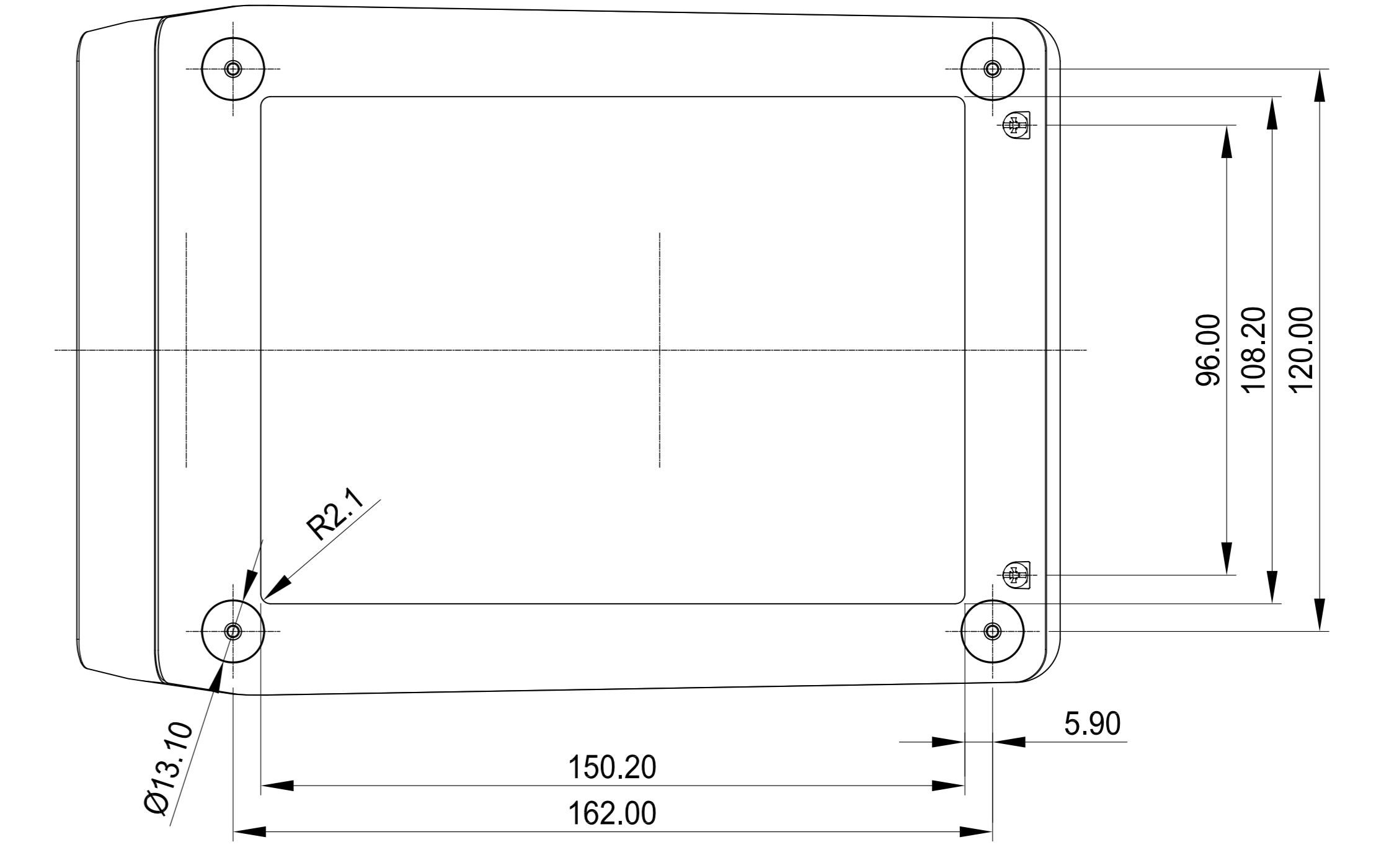
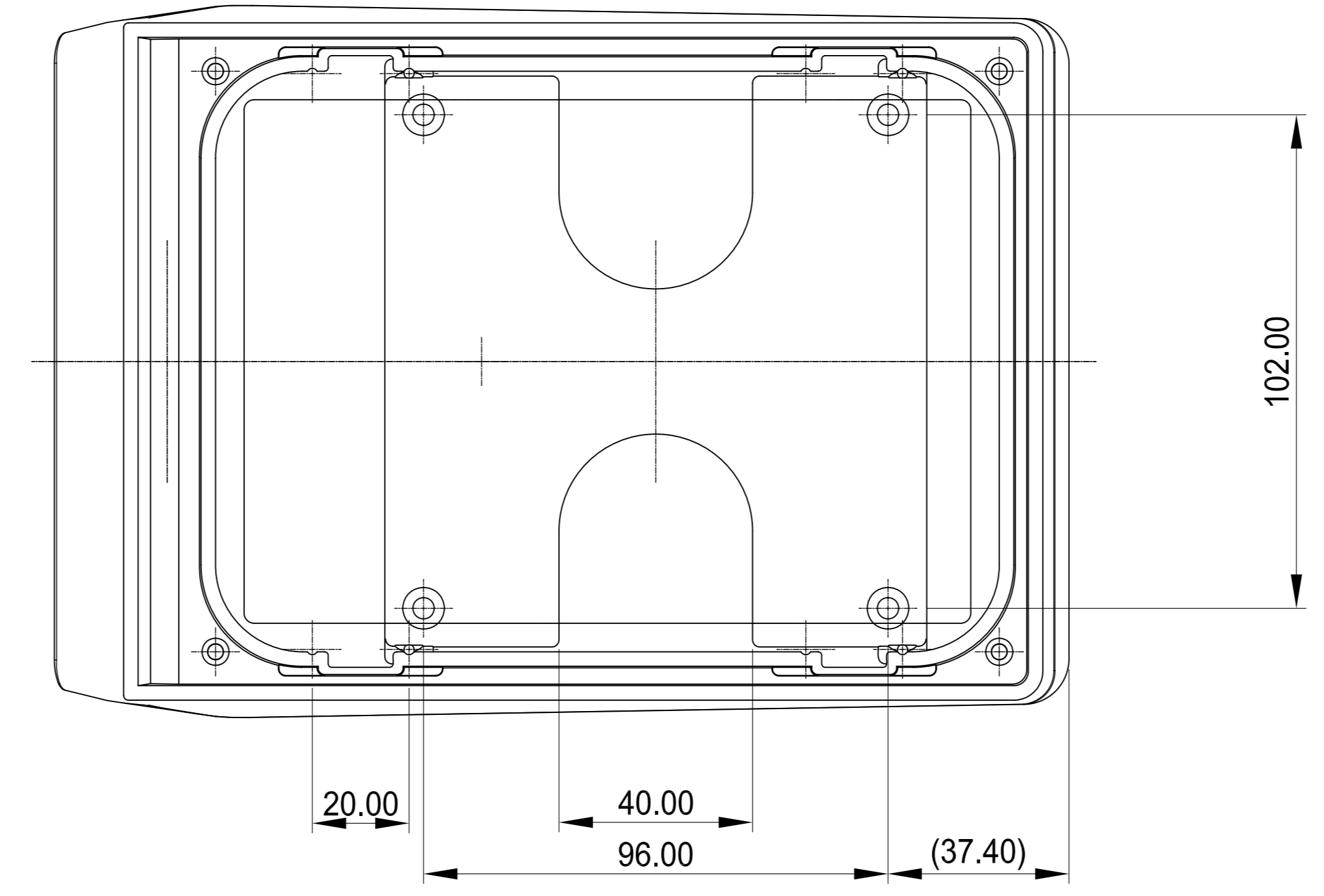
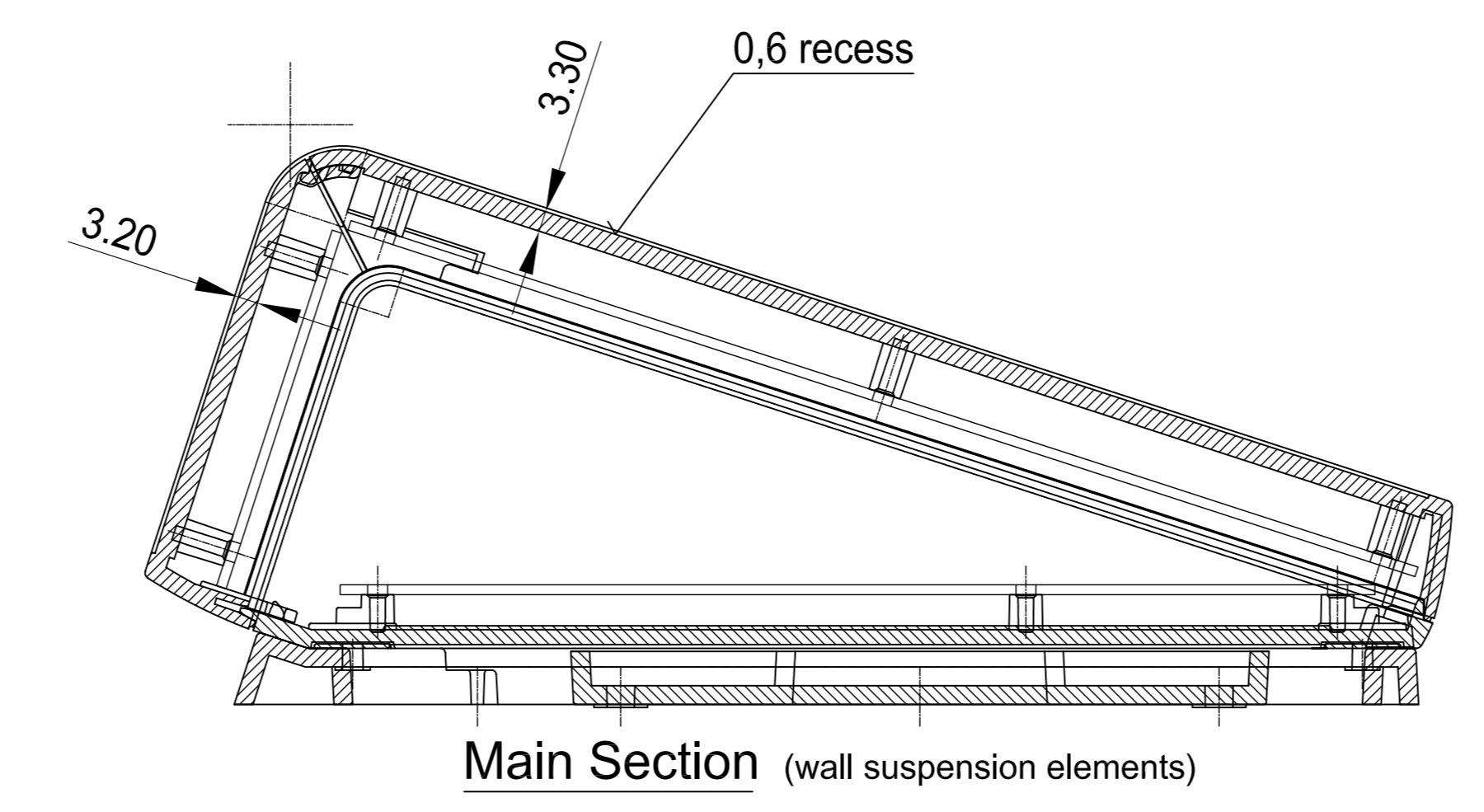


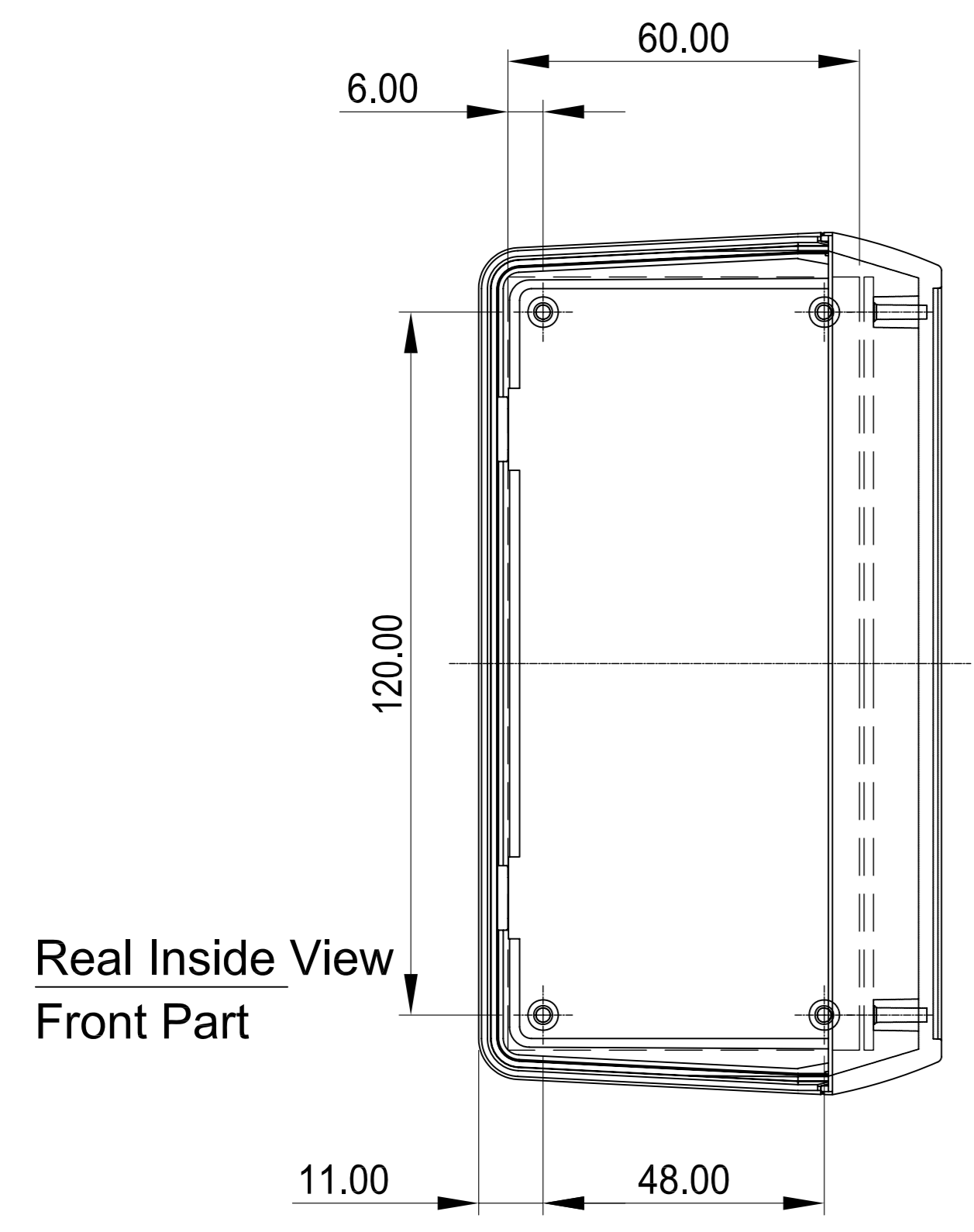
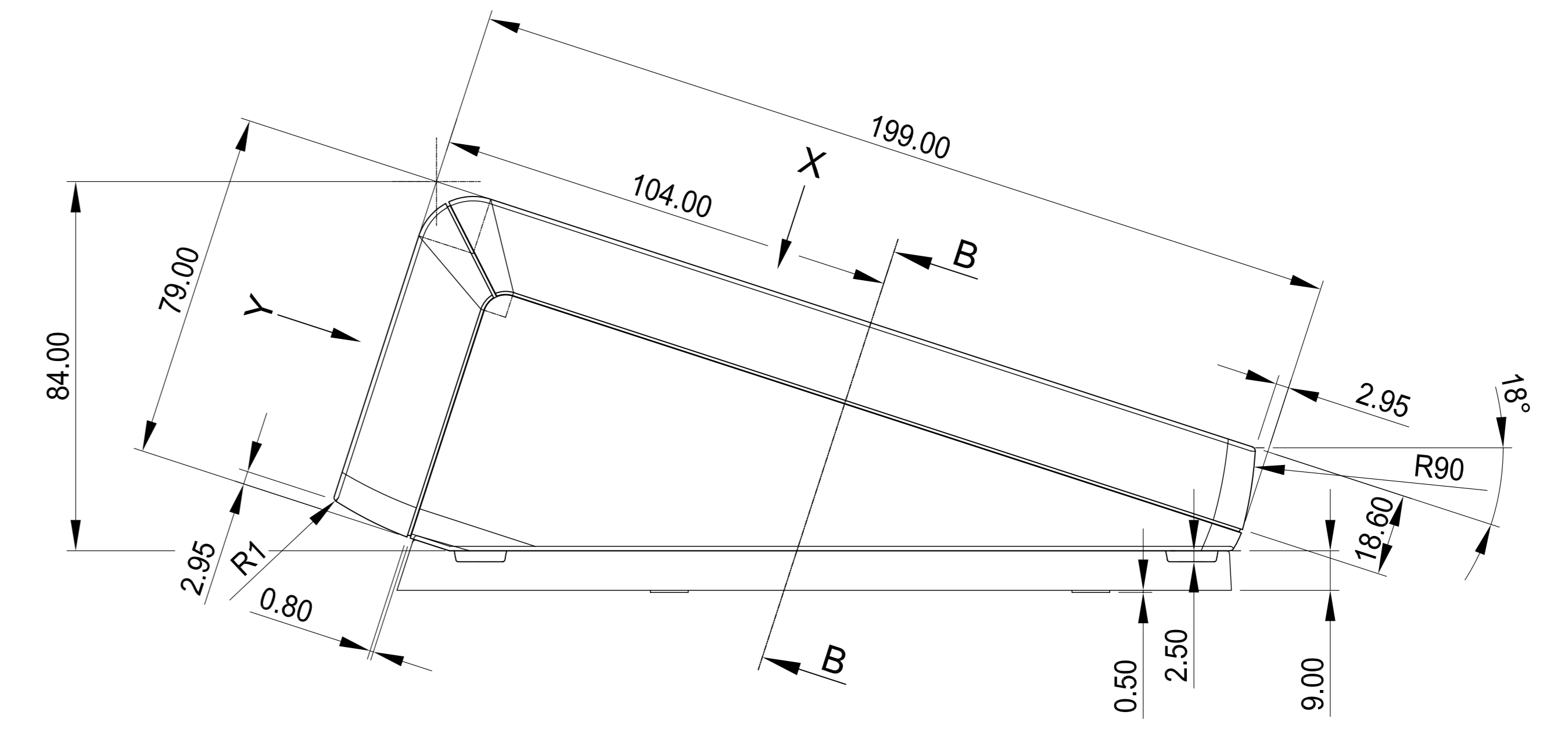
Real Inside View
Bottom Part



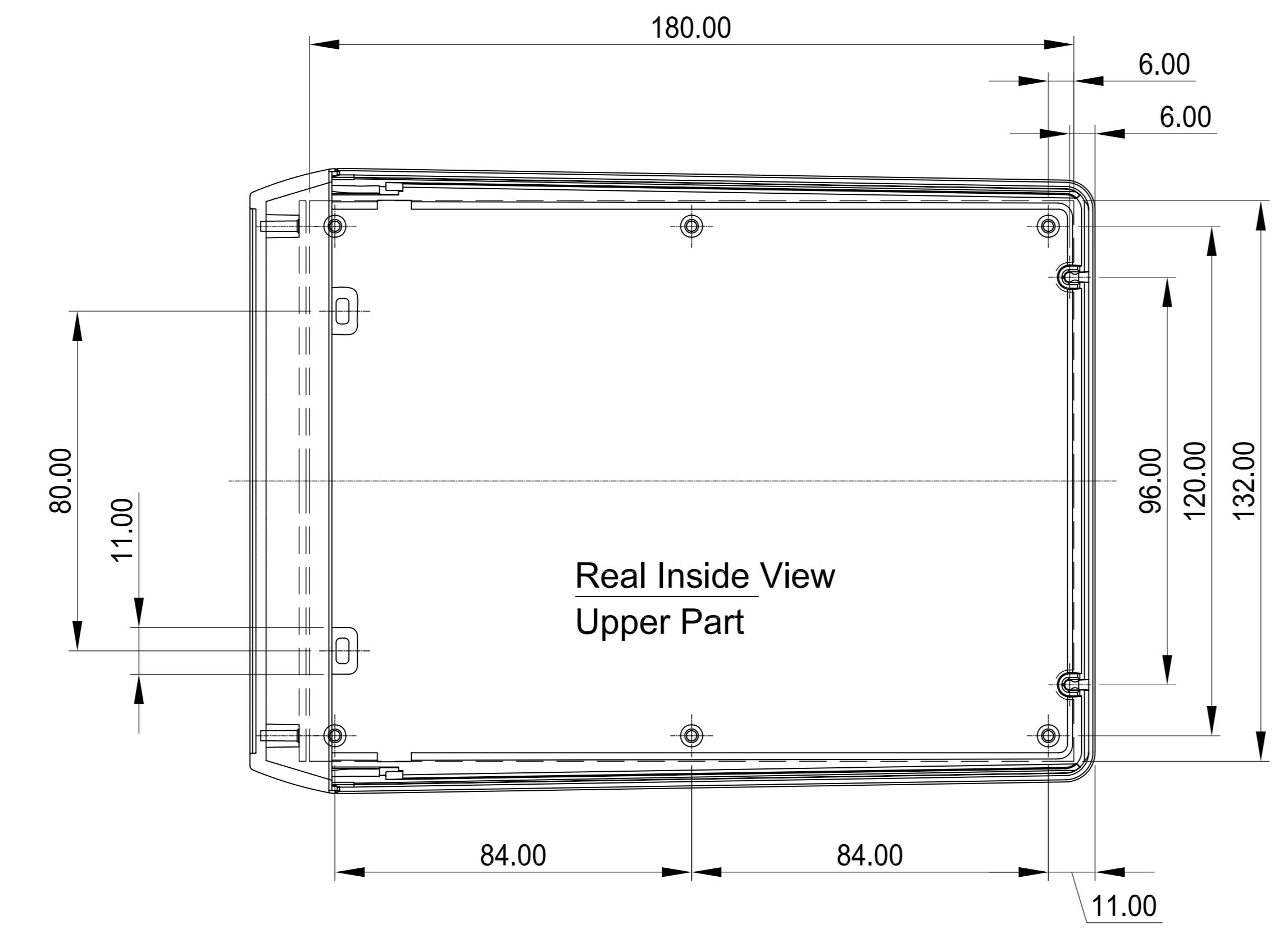
Main Section (with Battery Compartment)



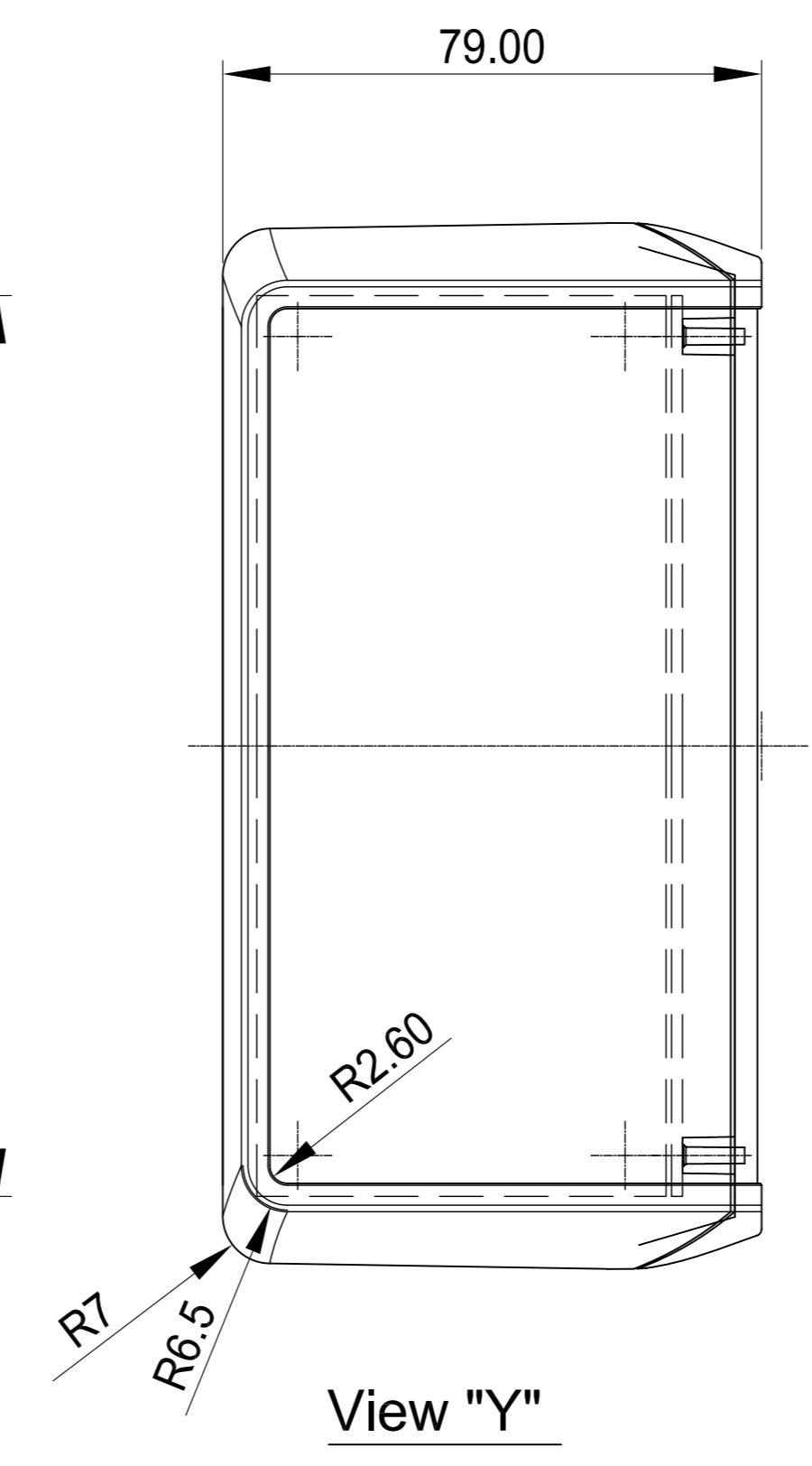
Main Section (wall suspension elements)



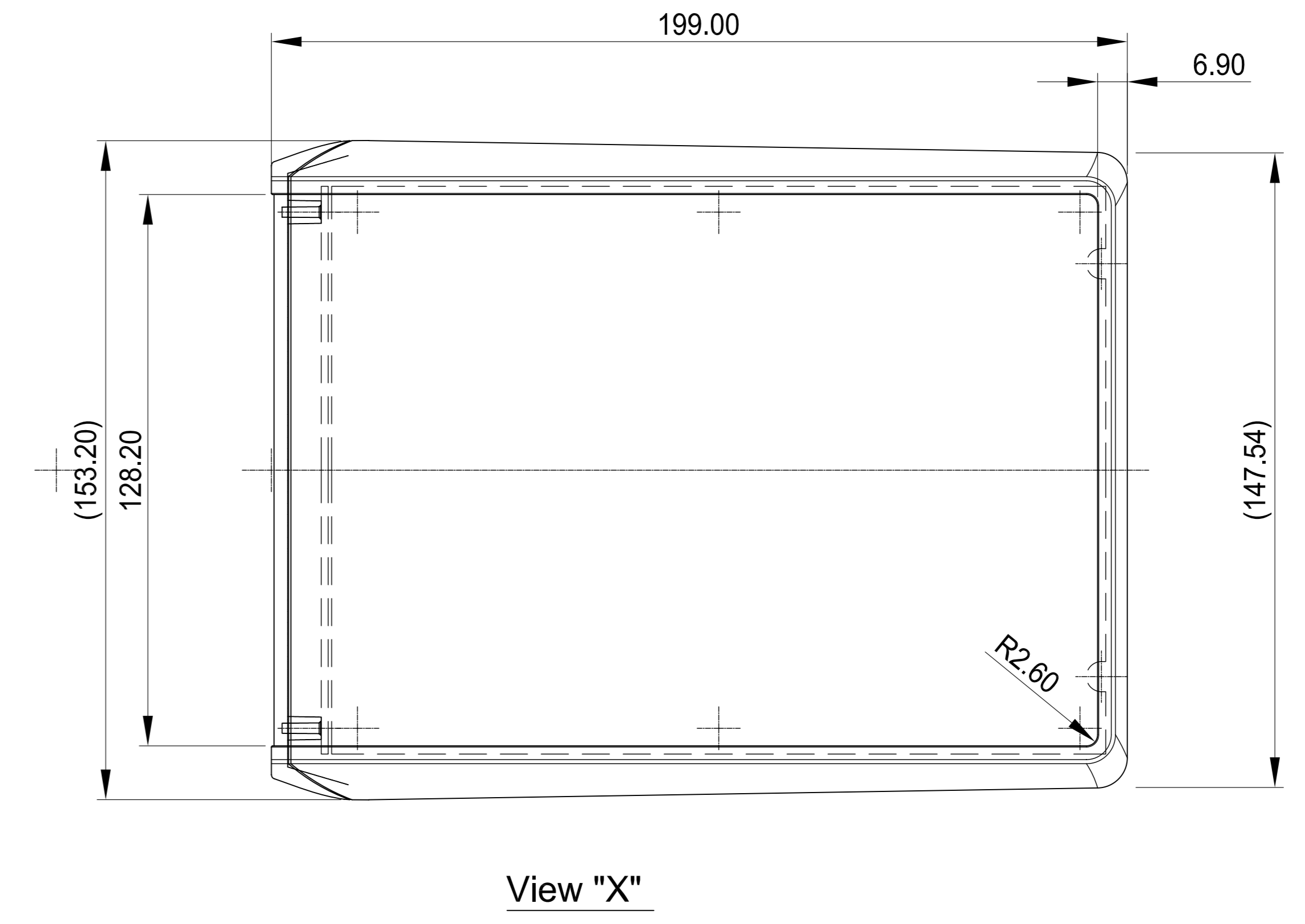
Real Inside View
Front Part



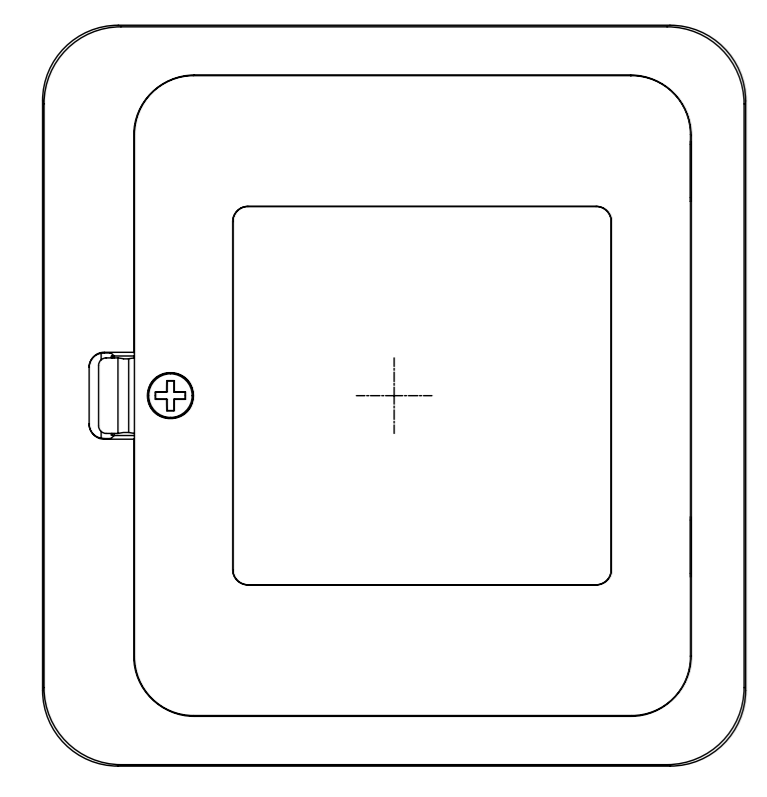
Real Inside View
Upper Part



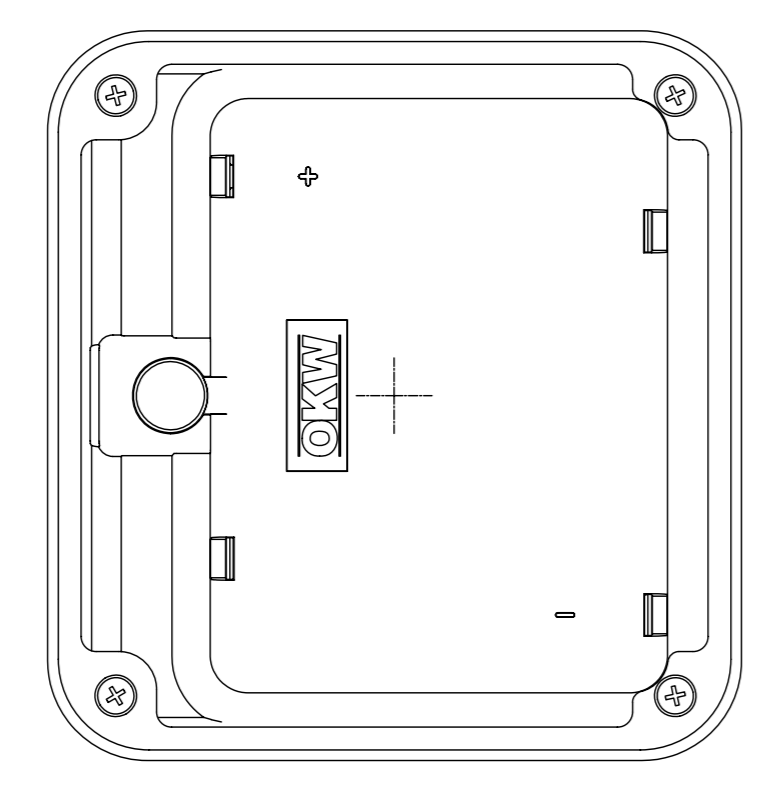
View "Y"



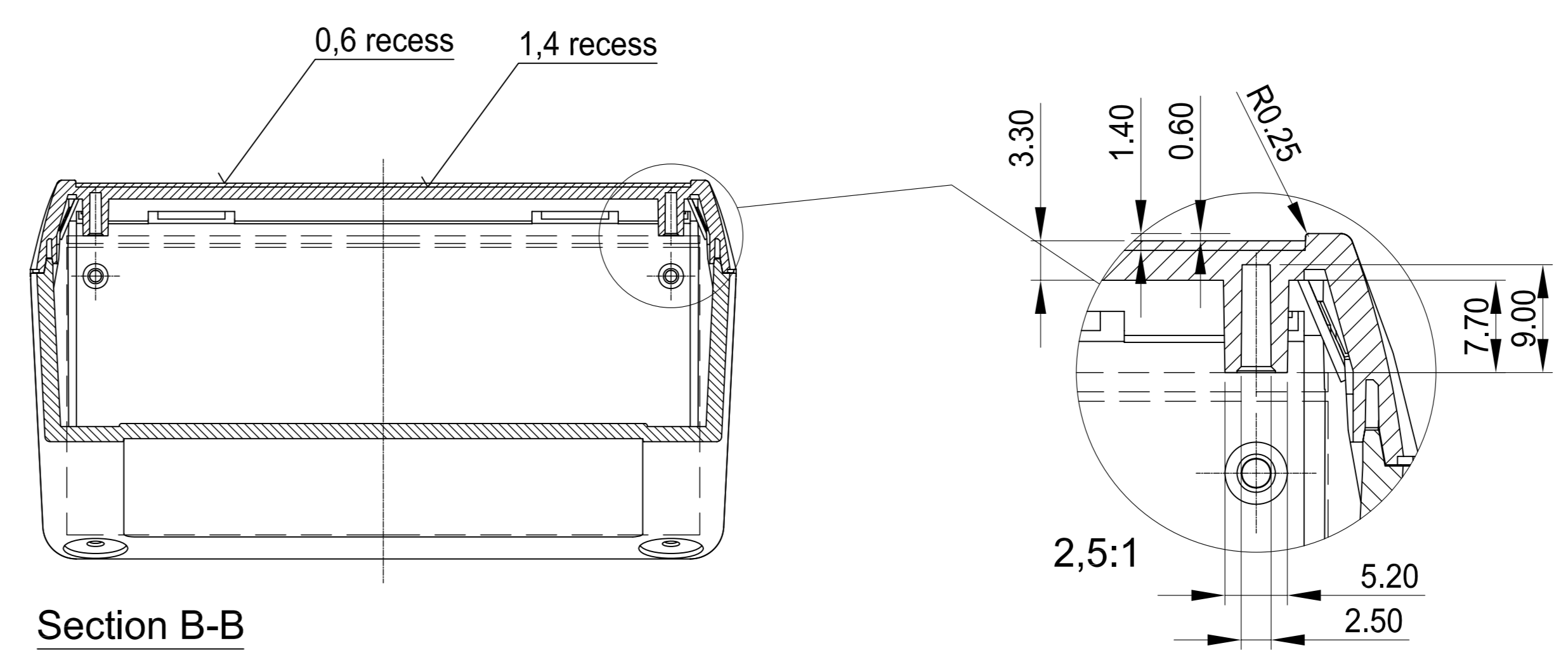
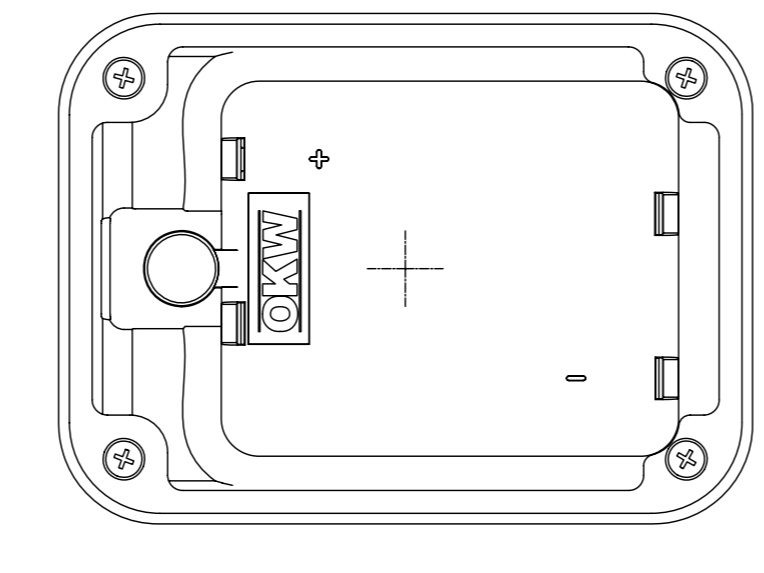
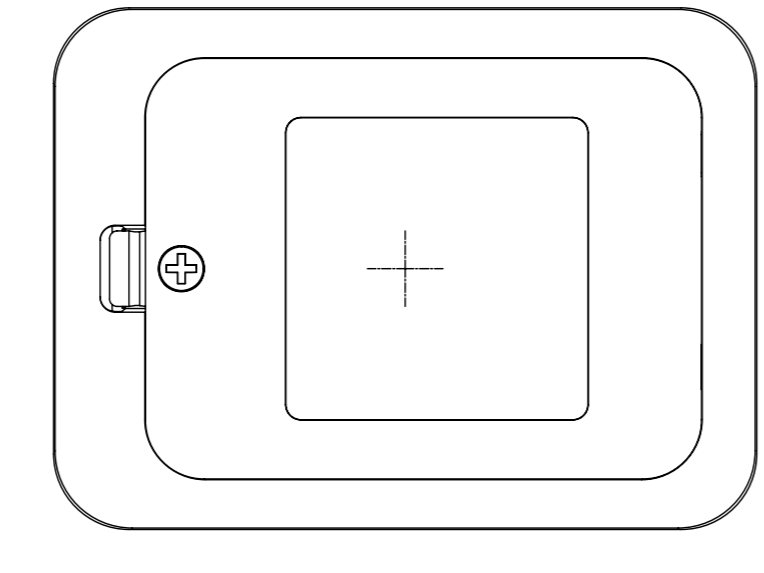
View "X"



5xAA Battery Compartment



3xAA Battery Compartment



Section B-B

Informationskopie wird nicht aktualisiert	Copy for Information will not be updated	Doc. nr.: 28.01.00	Material:	Toleranzen:	
Ersteller: BSH	Projektor: BSH	Revis. Nr.: 1	Farbe:	Zielfunktion:	
Datum: 28.01.00					The enclosure design, assembly, drawings and parts are the property of UNITEC M. All rights reserved. No part of this document may be reproduced, stored in a retrieval system, or transmitted in any form or by any means, electronic, mechanical, photocopying, recording, or by any information storage and retrieval system, without the prior written permission of UNITEC M.
		UNITEC M GEHAUSE SYSTEME		UNITEC M All Versions B4056XXX	DIN 61612 Blatt: 2 von: 2