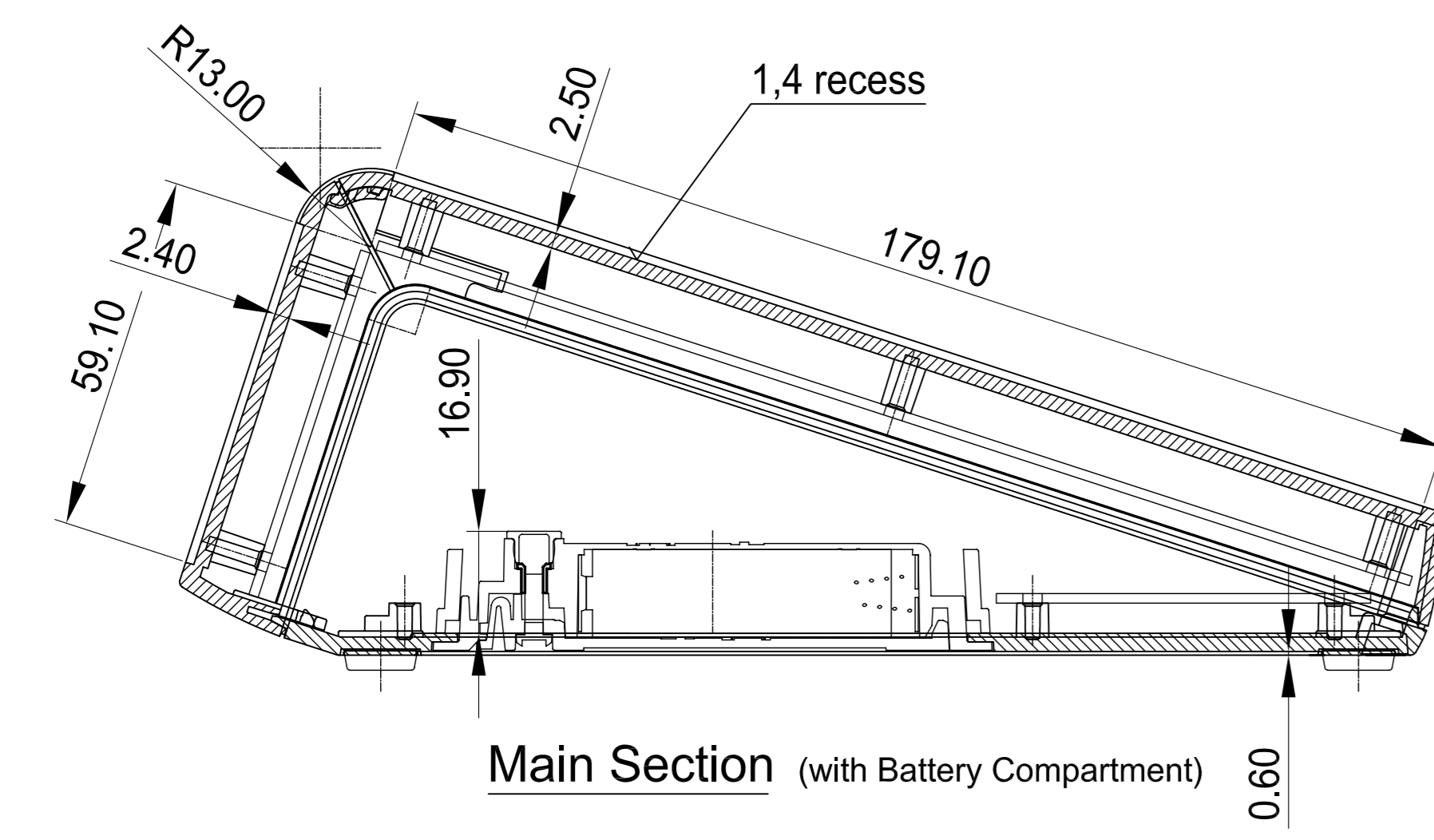
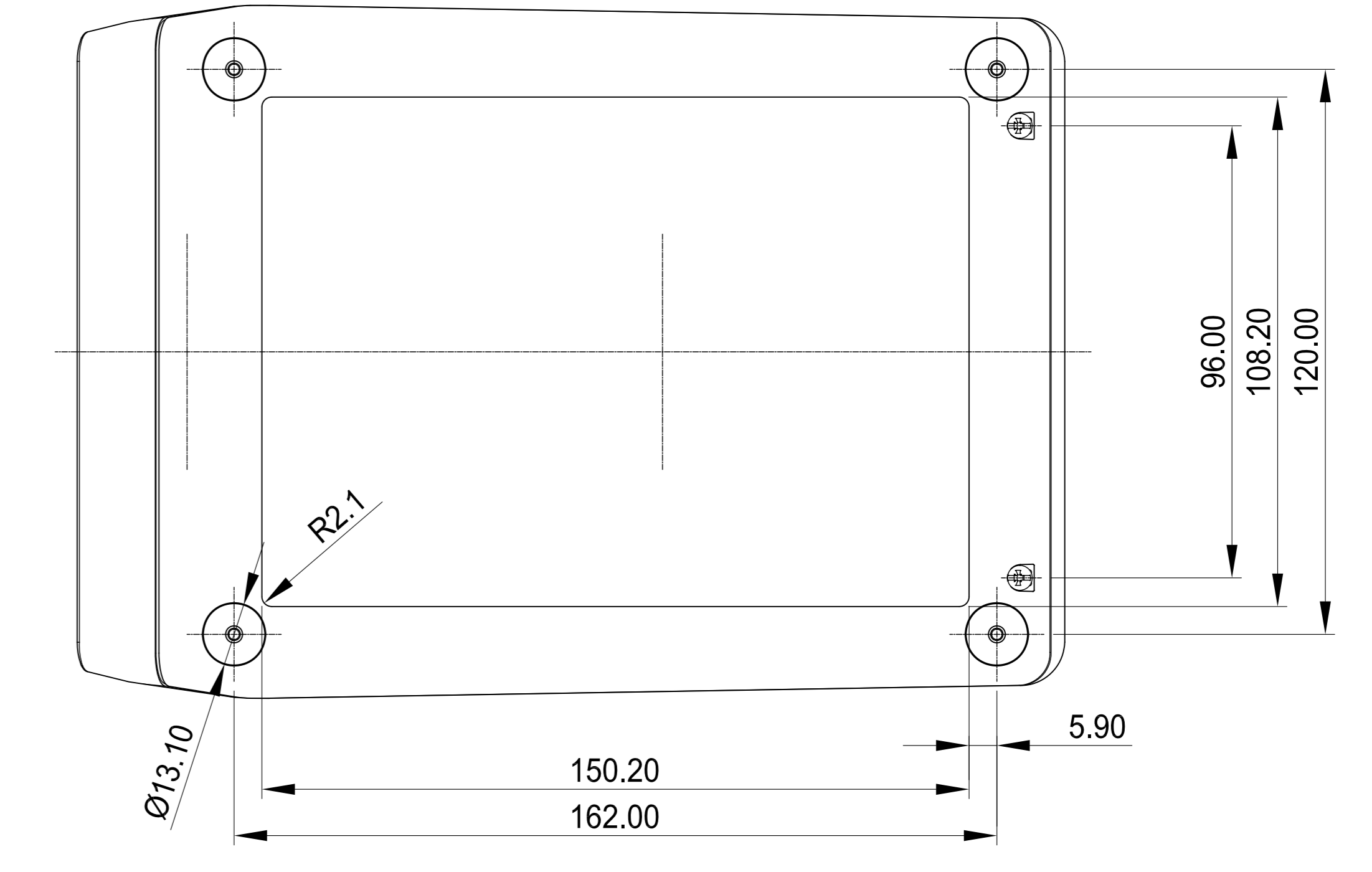
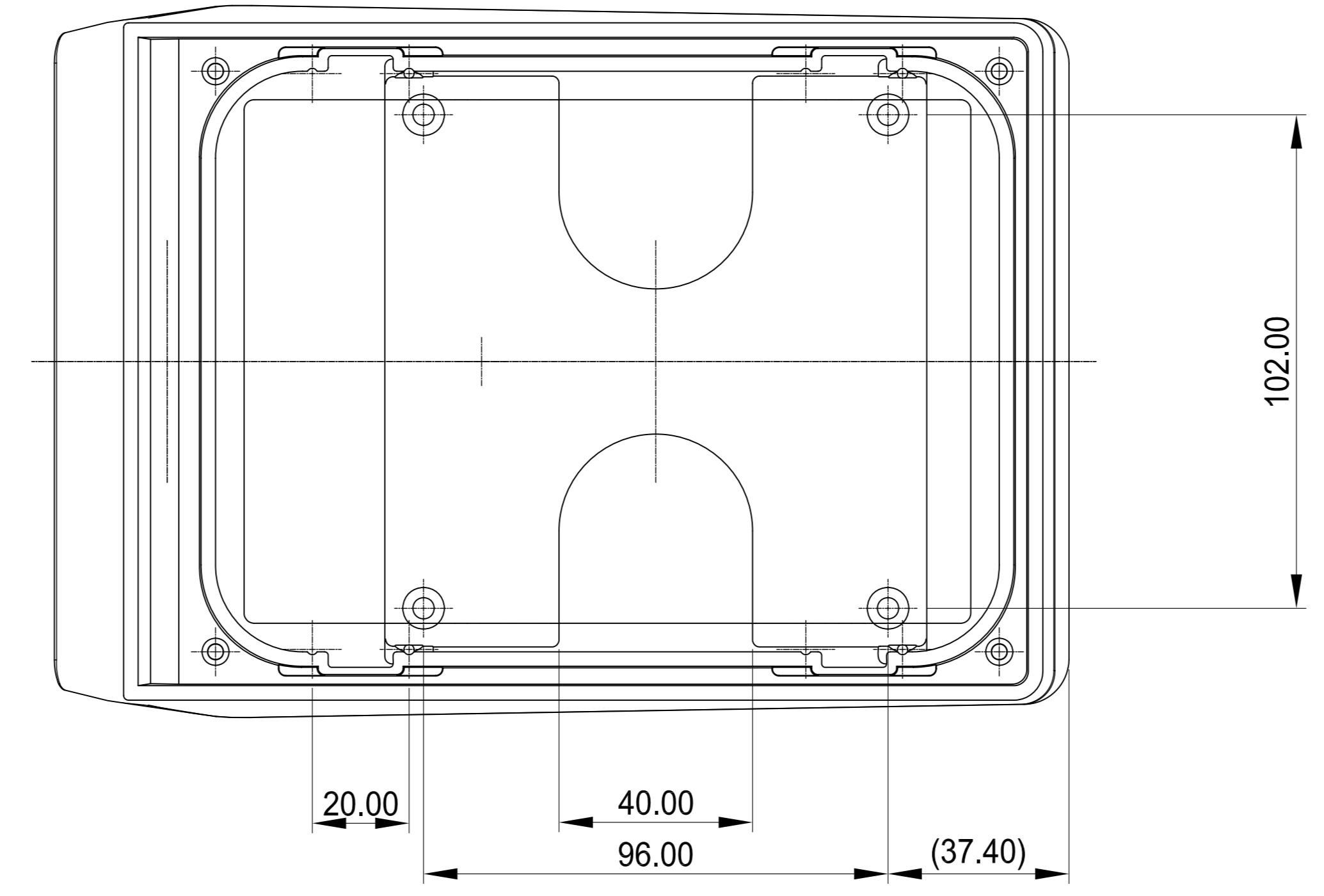
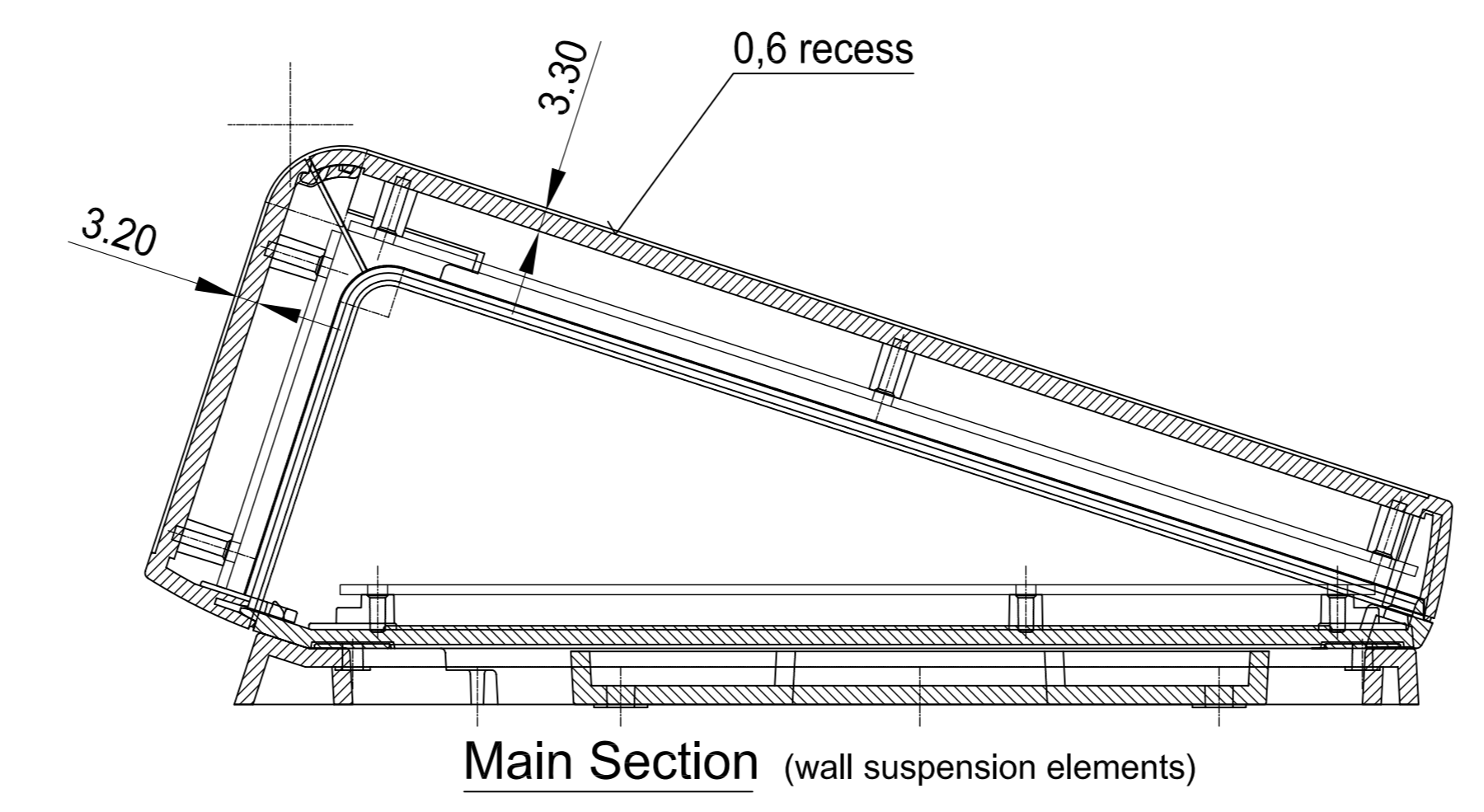


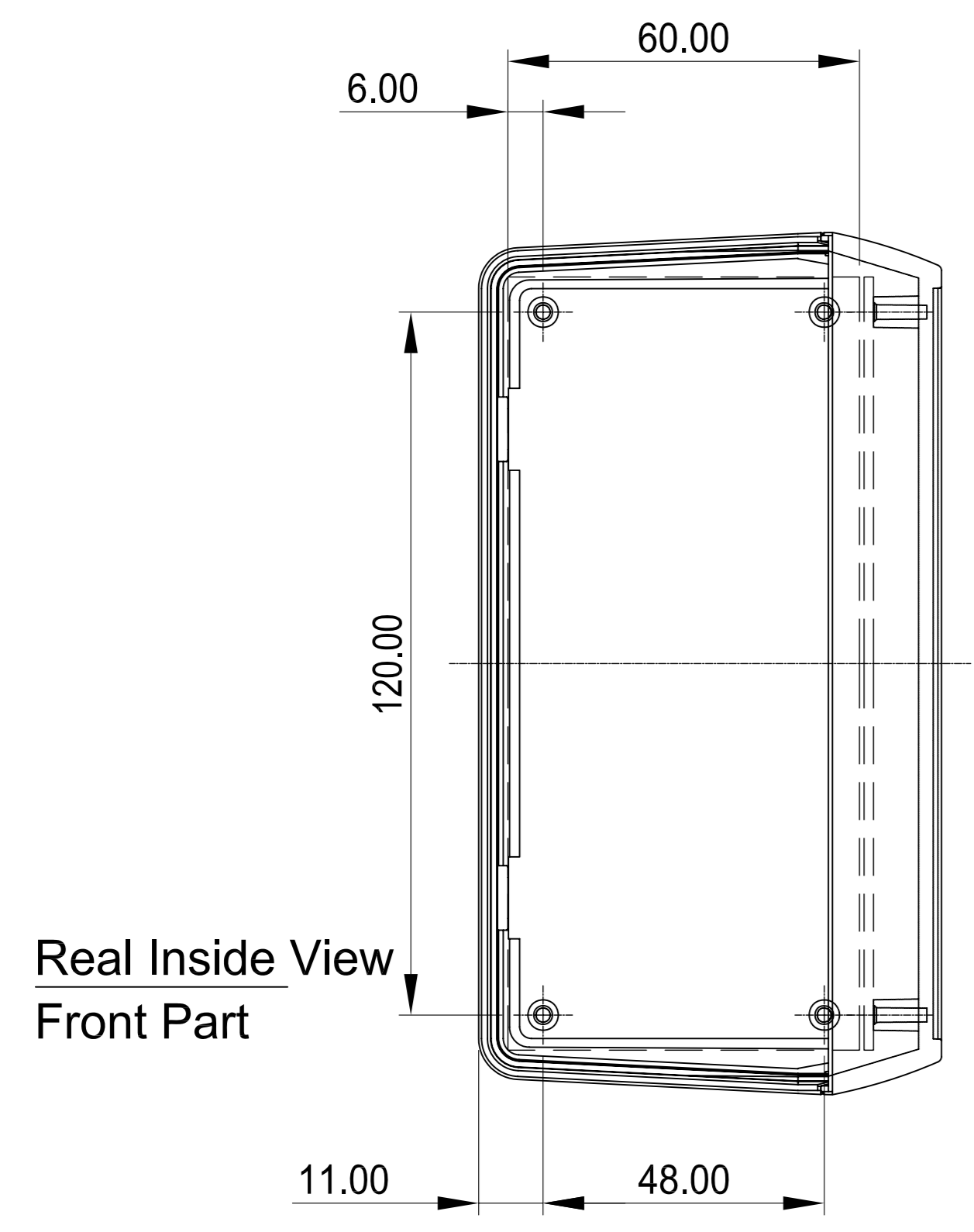
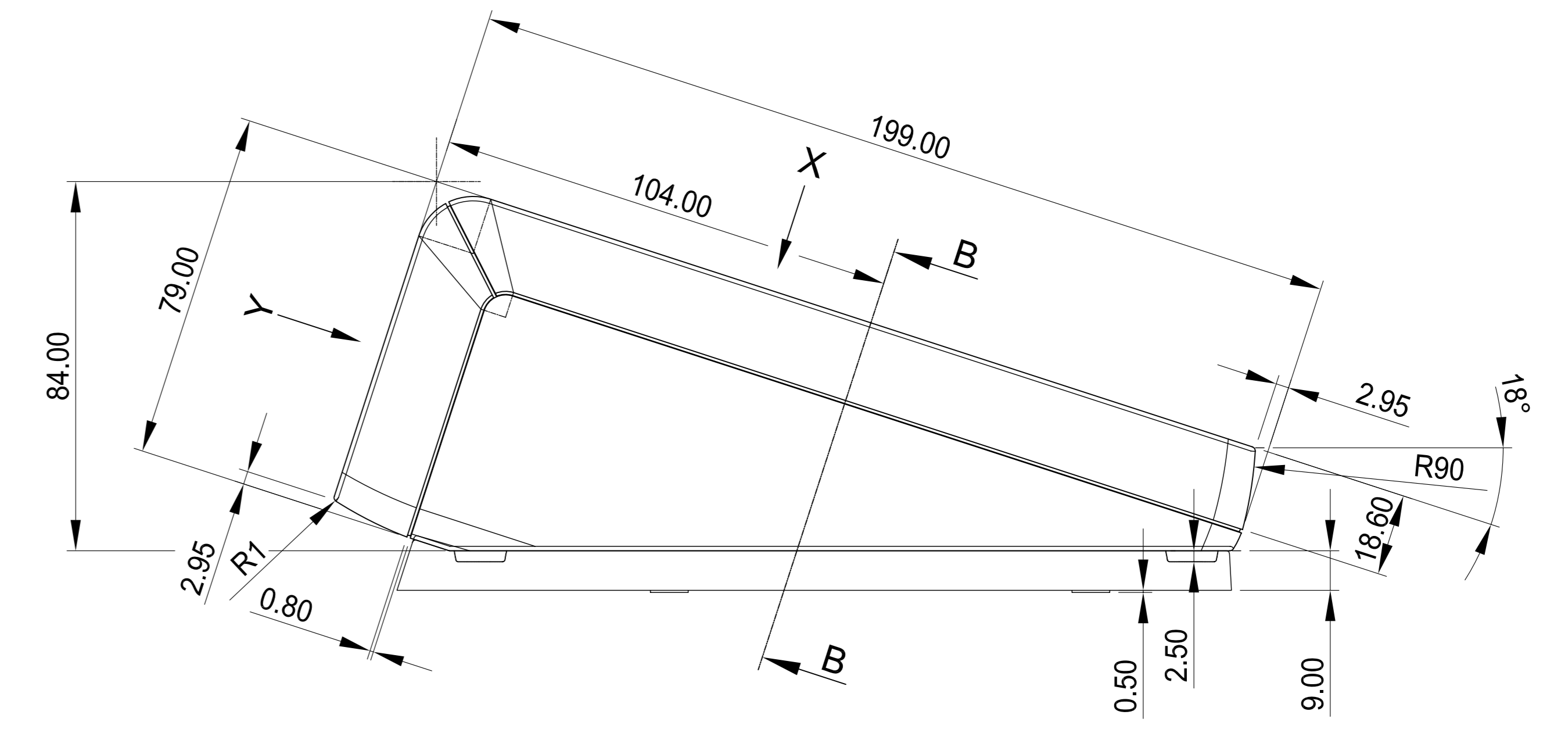
Real Inside View  
Bottom Part



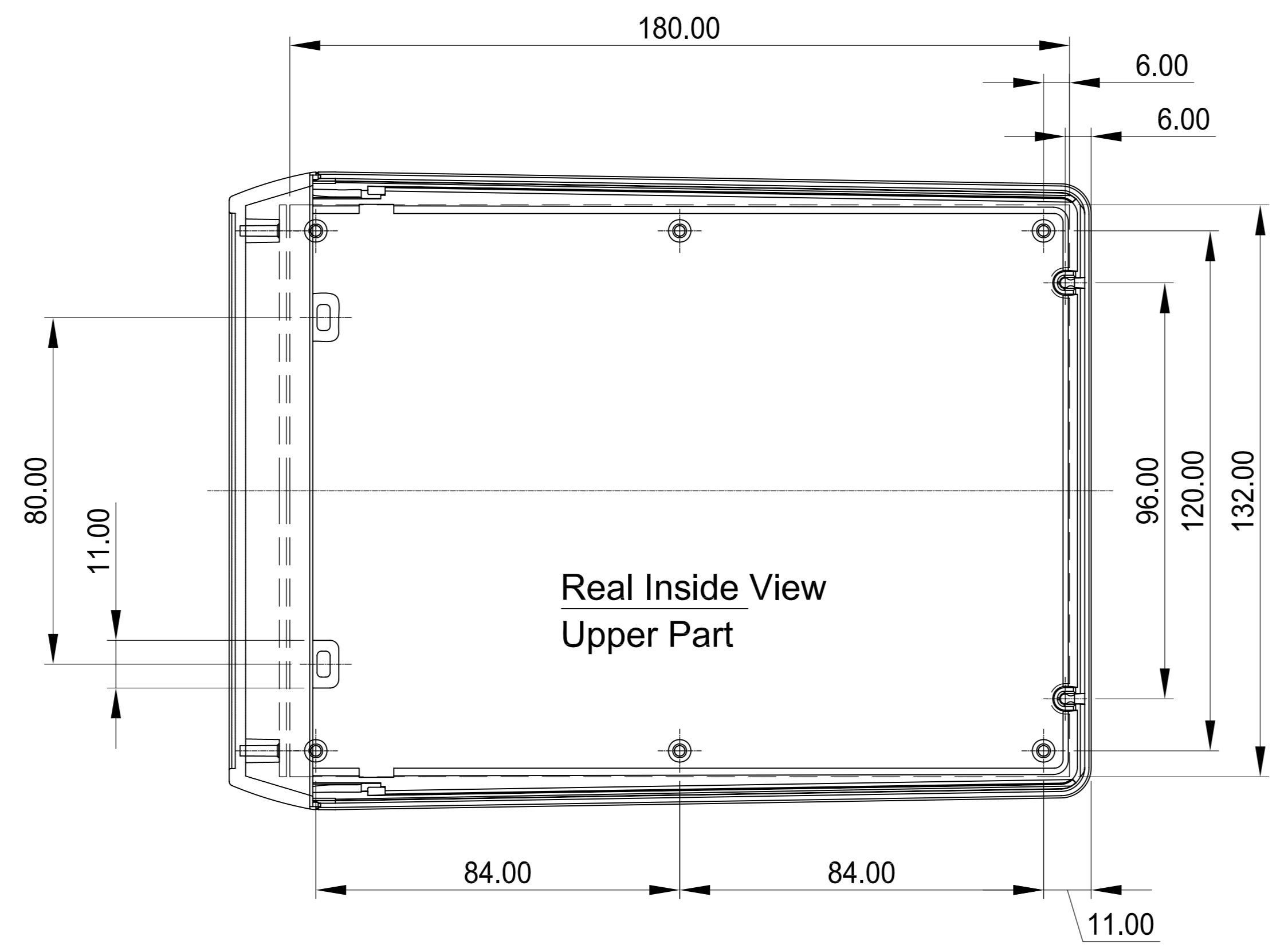
Main Section (with Battery Compartment)



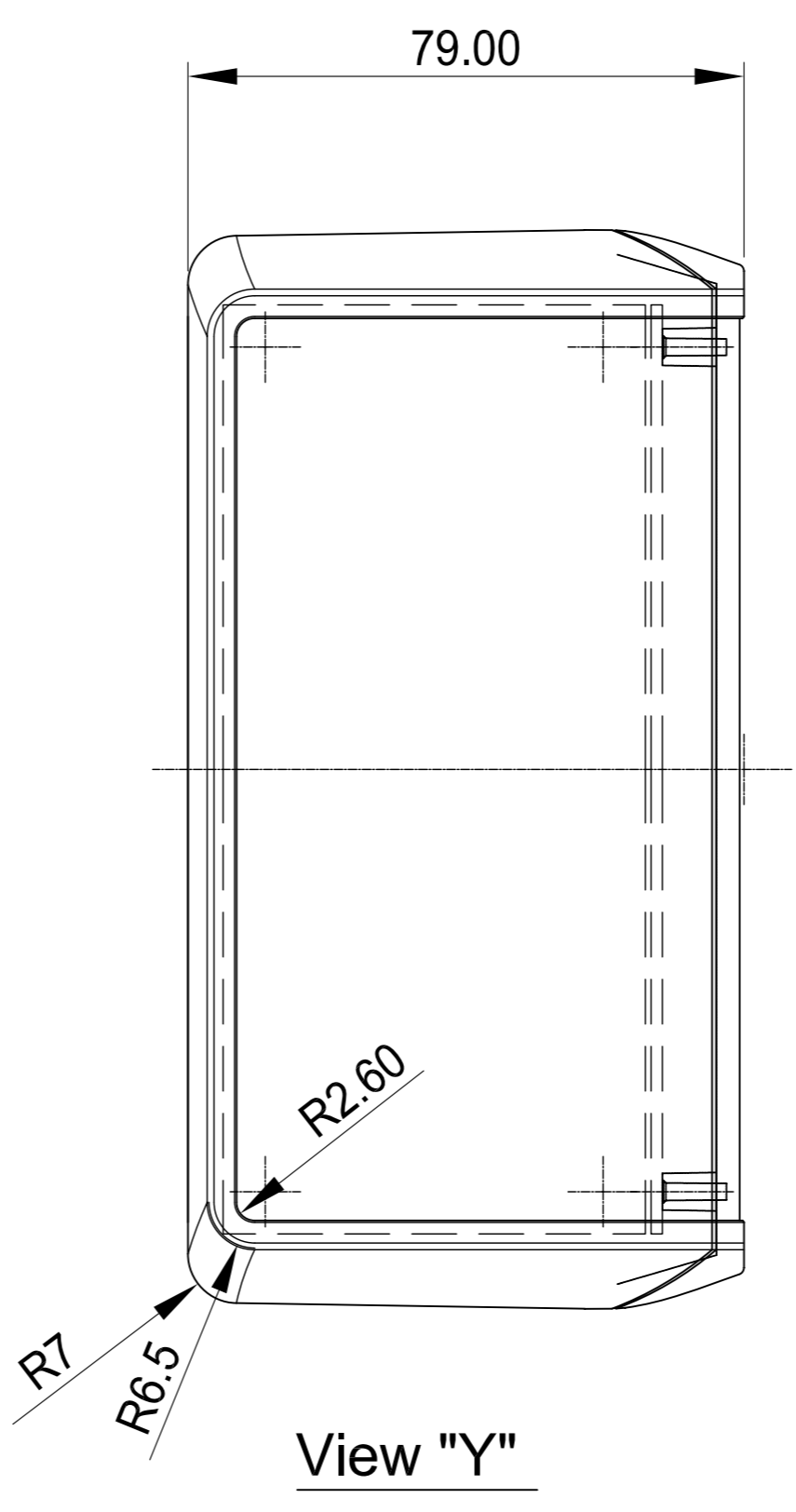
Main Section (wall suspension elements)



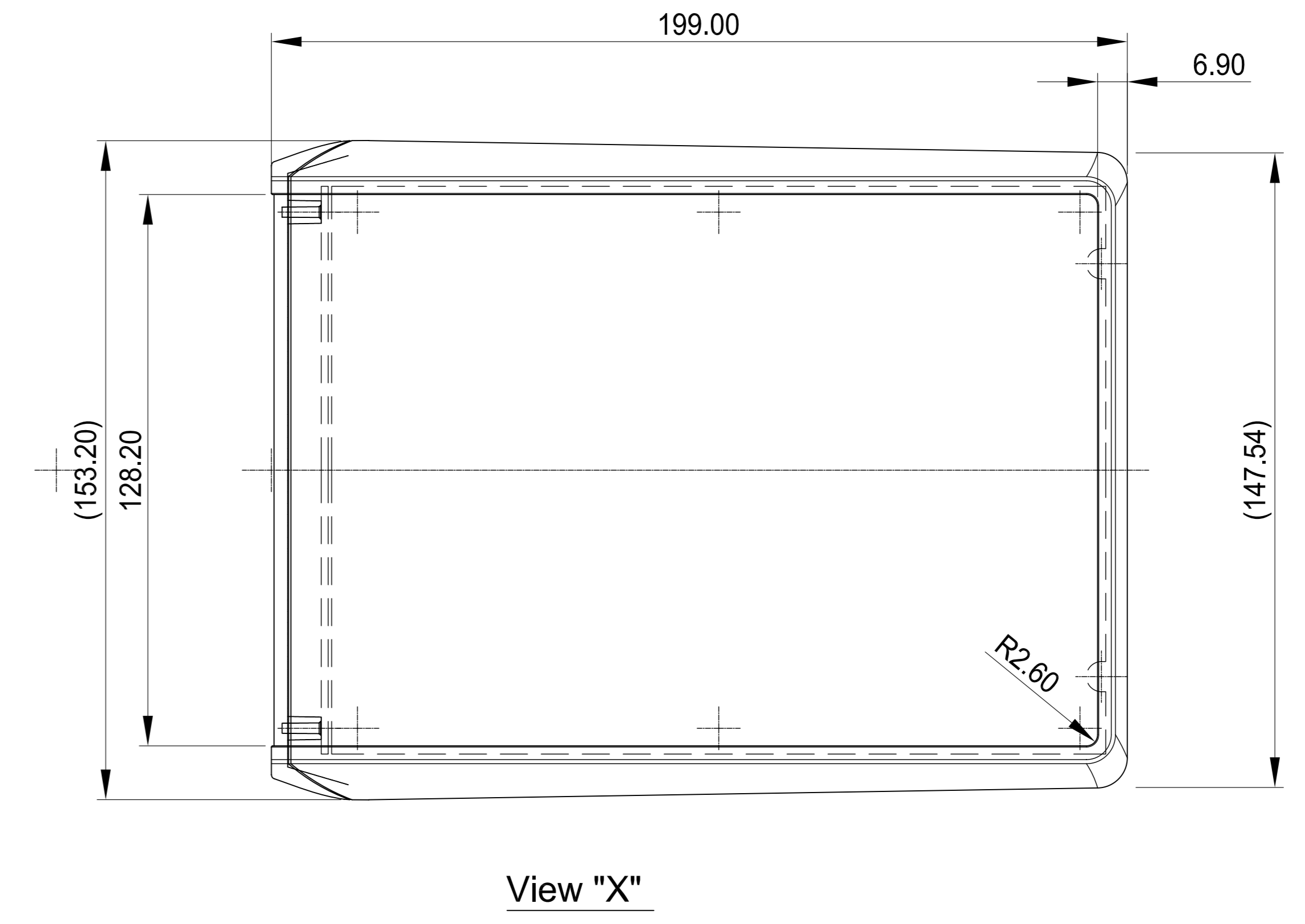
Real Inside View  
Front Part



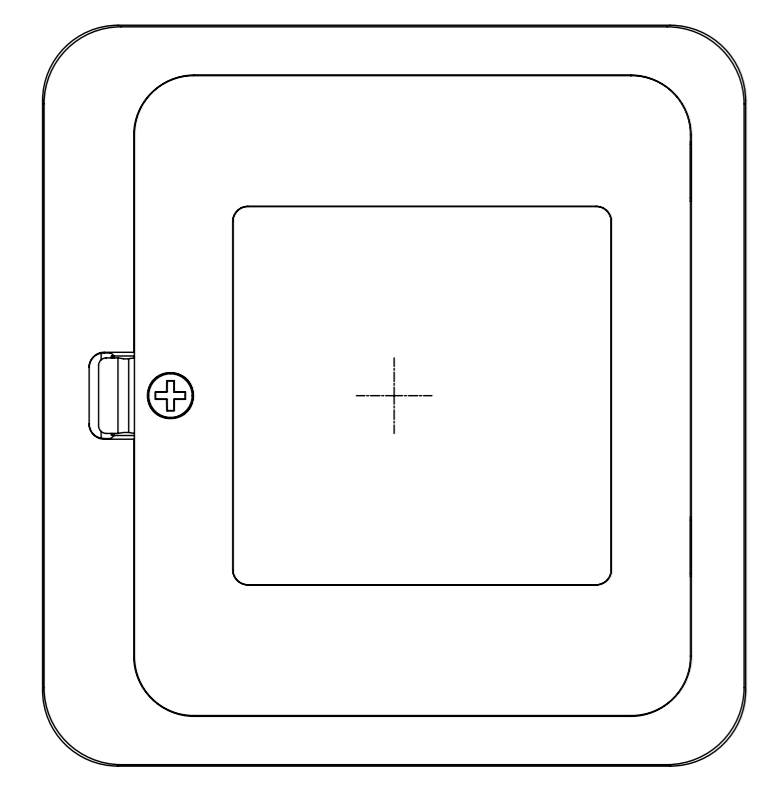
Real Inside View  
Upper Part



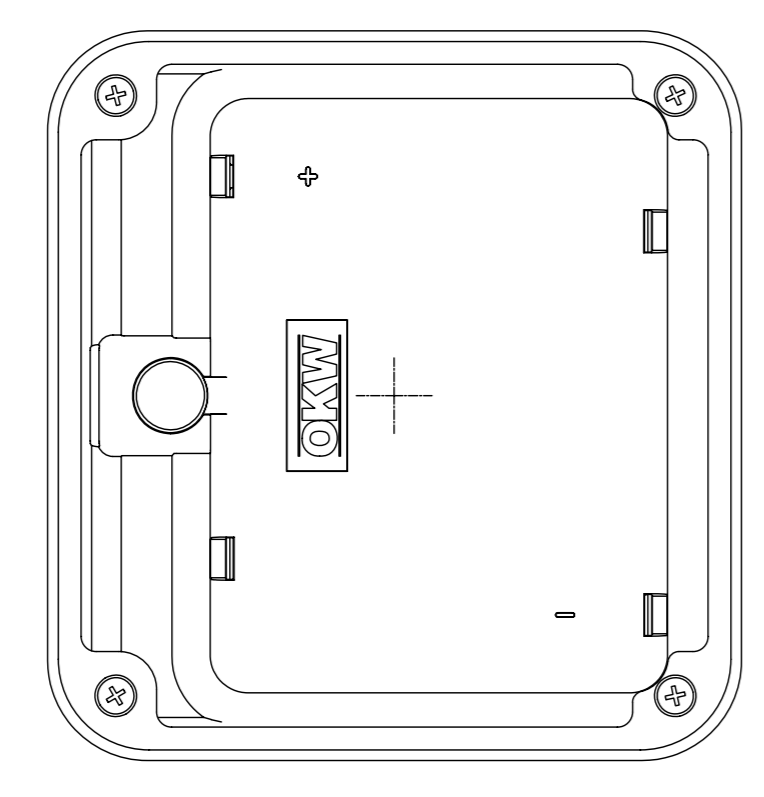
View "Y"



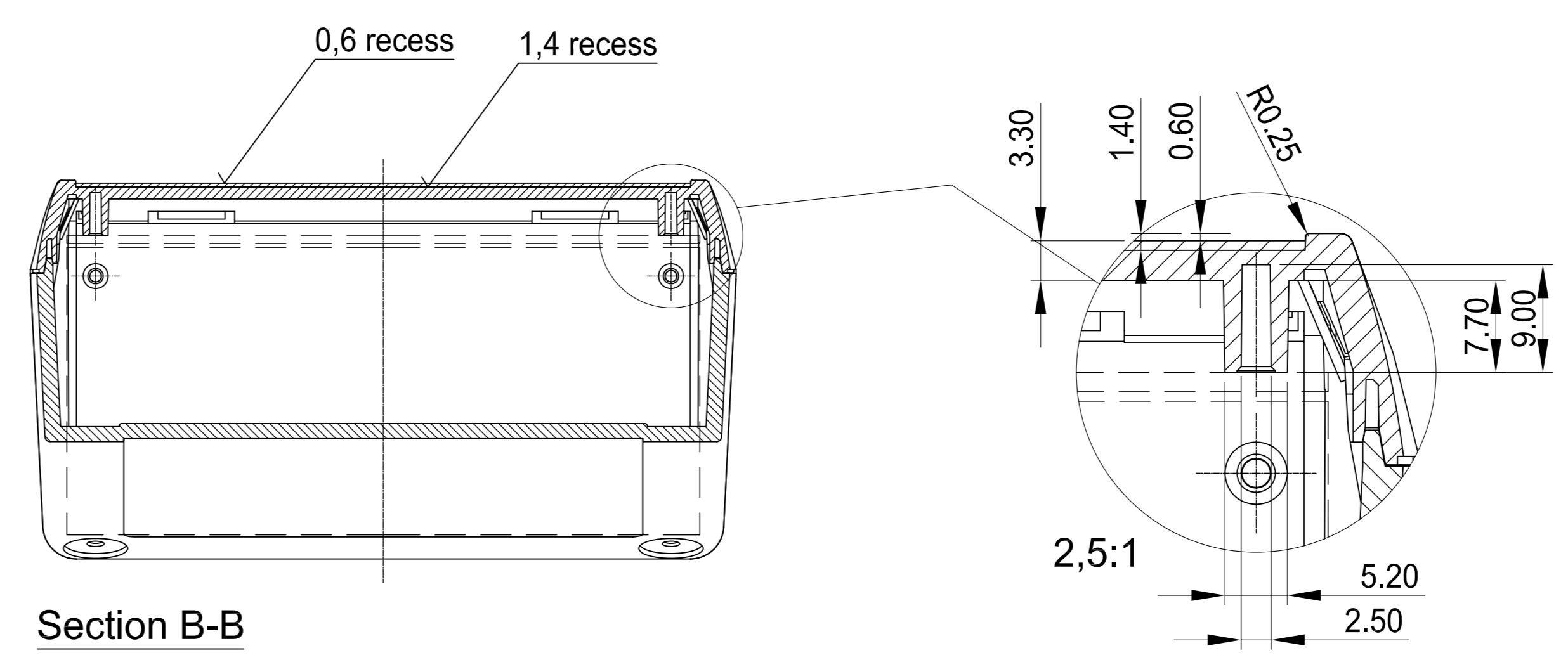
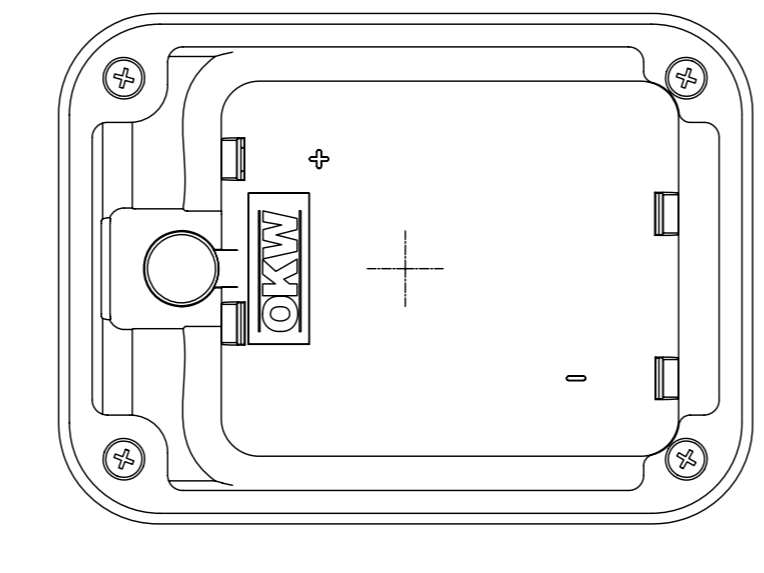
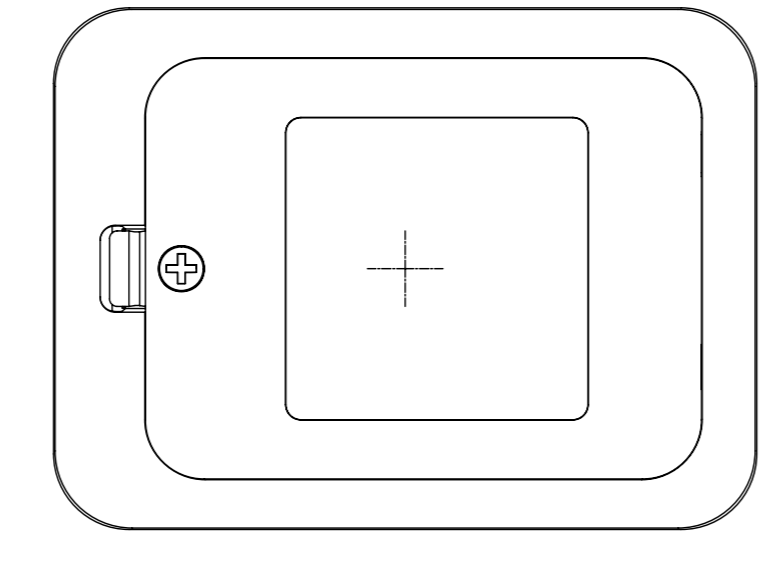
View "X"



5xAA Battery Compartment



3xAA Battery Compartment



Section B-B

Informationskopie wird nicht aktualisiert	Copy for Information will not be updated	Doc. nr.: 28.01.00	Material:	Toleranzen:	
Ersteller: BSH	Farbe:	Projekt:	Zielfunktionspunkt:	DN 6.1a1.2	
Rev. 0001	28.01.00	28.01.00	UNITEC M All Versions	Material:	
<p>The enclosure design is property of UNITEC M. All rights reserved. No part of this document may be reproduced, stored in a retrieval system, or transmitted, in any form or by any means, without the prior written permission of UNITEC M. The information is provided for information only and does not constitute a contract. It is subject to technical modifications without prior notice. Typographical and other errors do not justify any claim for damages. All dimensions should be verified using an actual model part.</p> <p>Si vous réserve de modifications techniques. Toute erreur ou faute d'impression ne justifie aucune demande d'indemnisation. Nous prions les clients de vérifier les dimensions des composants avec les boîtiers avant le montage.</p>				<p>UNITEC M All Versions</p>	