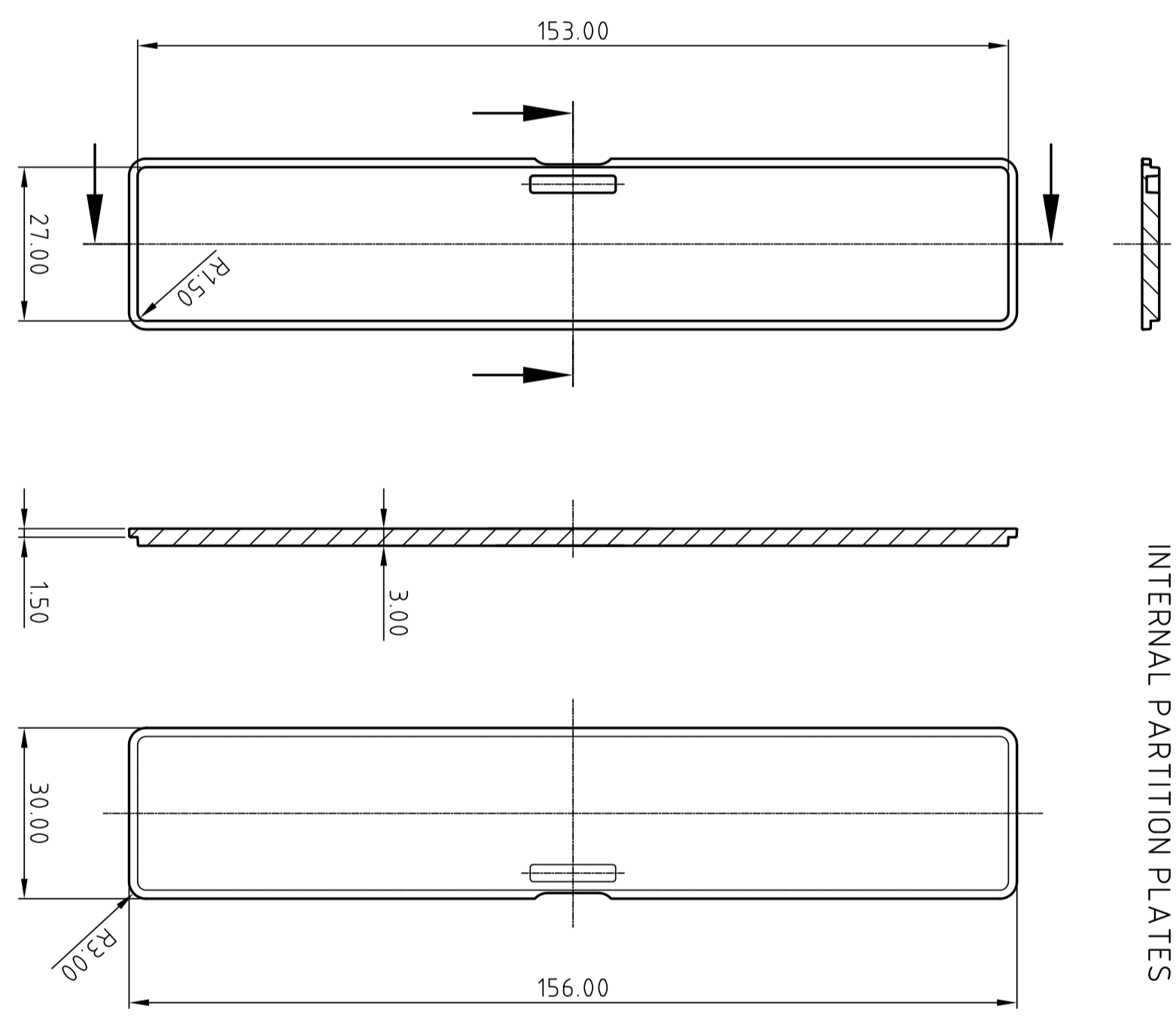
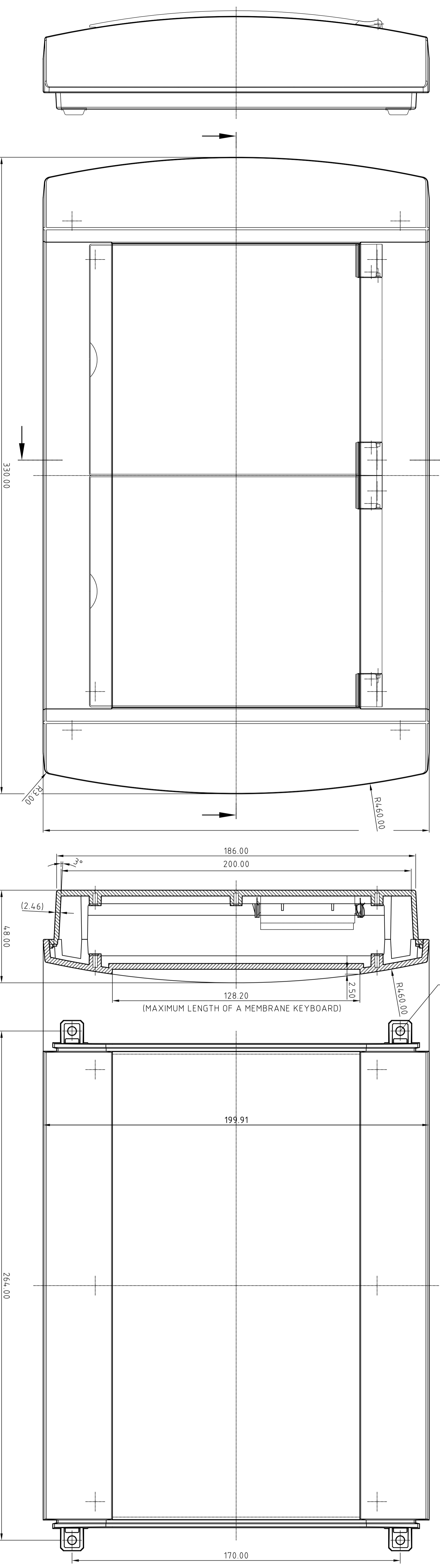


4 SELF-TAPPING SCREWS 4 x 16 MM CROSS-HEADED COME WITH THE ASSEMBLY KIT



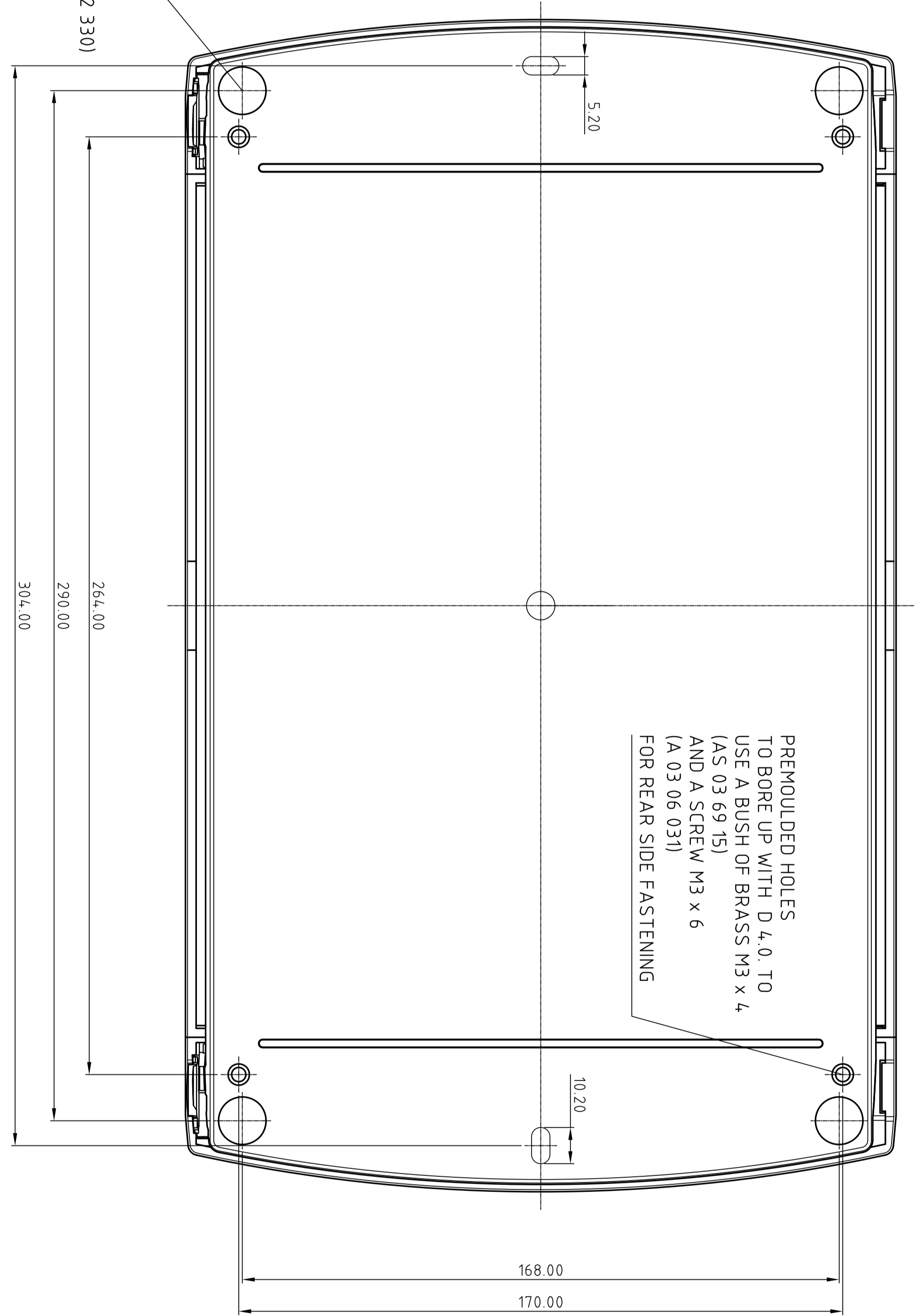
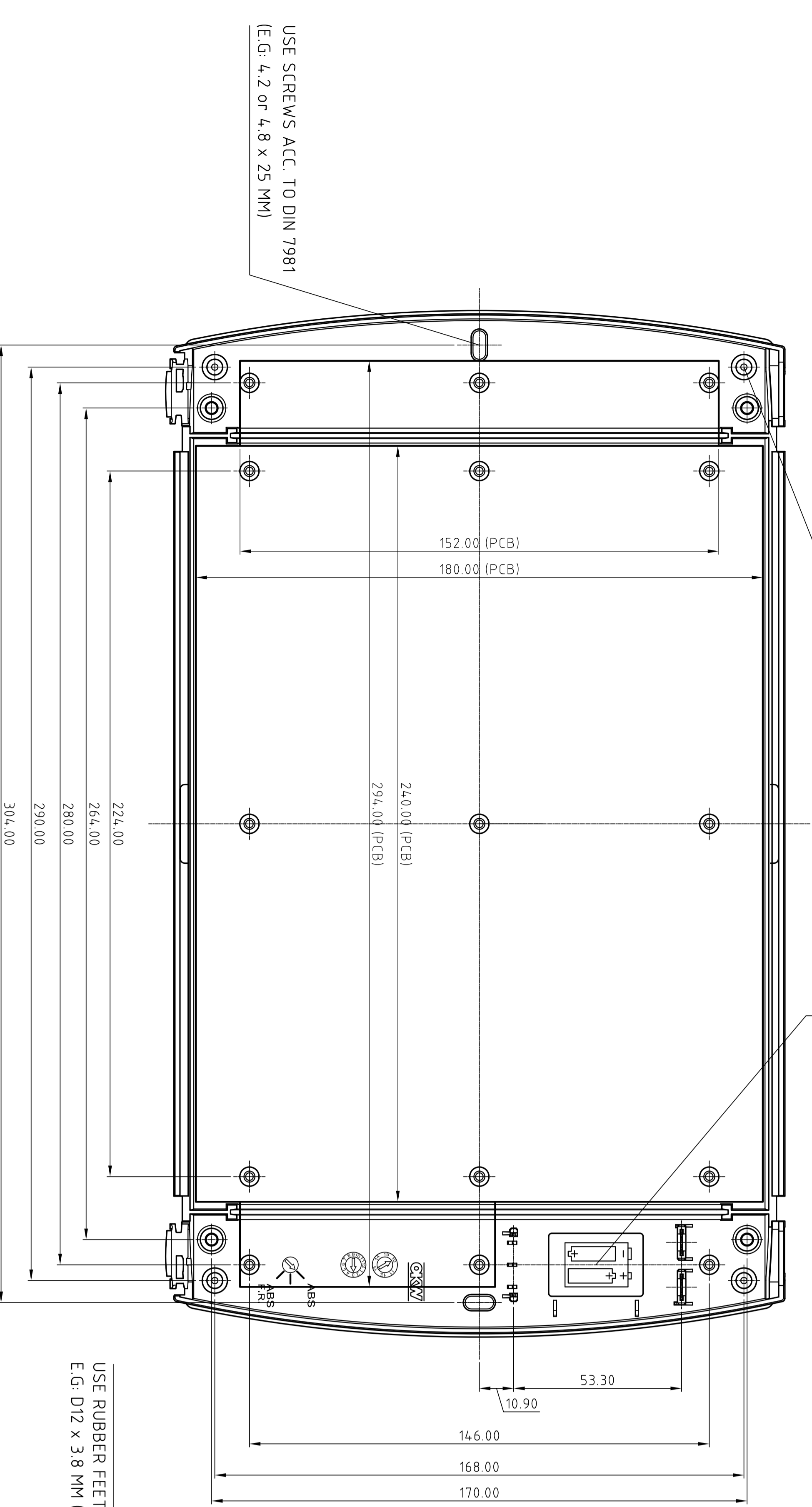
INTERNAL PARTITION PLATES



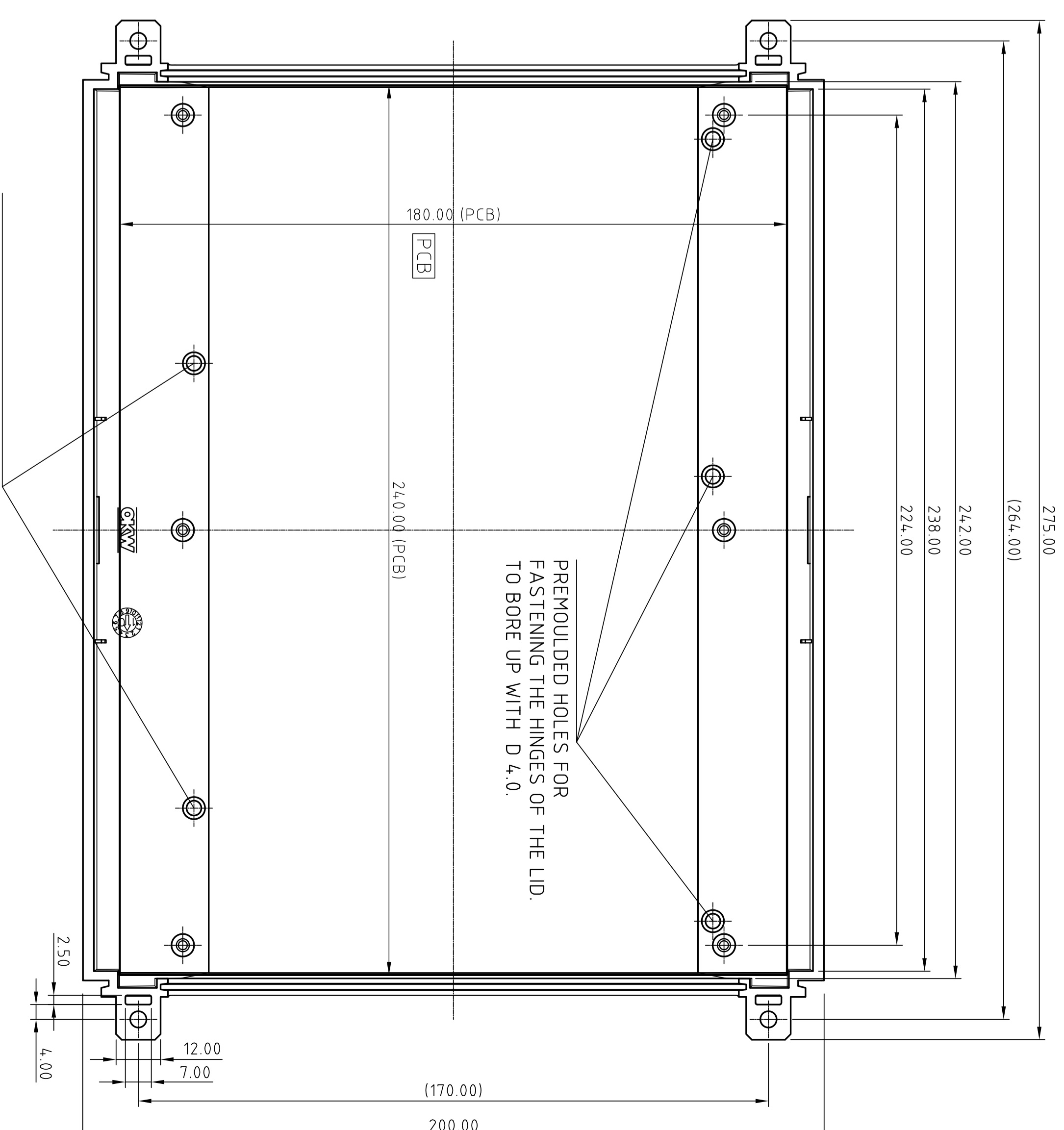
USE COUNTER-SUNK SCREWS (E.G. SPAX)

SET OF BATTERY CLIPS FOR TWO 15V AA-ROUND-CELLS (A 91 90 002) PLUG IN CONTACT FOR ONE 9V FLAT-BATTERY (A 91 60 003)

PRE-BORED HOLES FOR FIXING THE HINGED LID TO BORE UP WITH D 4.0. USE BUSH OF BRASS M3 x 4 AND A SCREW M3 x 8 (A 05 07 47)



PRE-BORED HOLES TO BORE UP WITH D 4.0. TO USE A BUSH OF BRASS M3 x 4 AND A SCREW M3 x 6 (A 03 06 031) FOR REAR SIDE FASTENING



Information for the user

Copy for information

Information for the user: This manual contains information on the use of the device. It is intended for the user of the device. It is not intended for the repair of the device. The user should read this manual before using the device. The user should follow the instructions in this manual. The user should not use the device if it is damaged or if it is not working properly. The user should not use the device if it is not intended for the user's use. The user should not use the device if it is not intended for the user's use. The user should not use the device if it is not intended for the user's use.

OKW

GENUINE

COMPLETE ENCLOSURE

SYSTEM

Z (P21)

Product name: OKW GENUINE COMPLETE ENCLOSURE SYSTEM

Part number: 117

Version: 1.0

Issue: 1.0

Copyright: © 2000 OKW

Printed in Germany