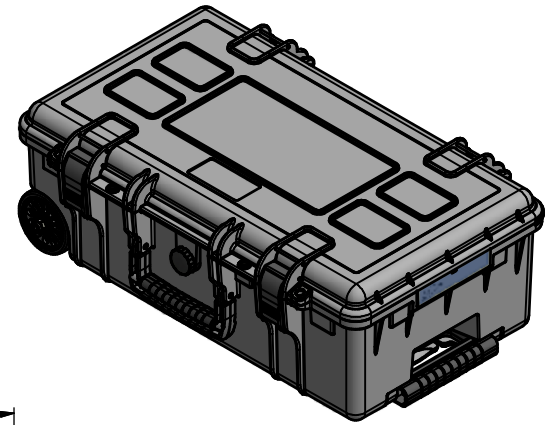
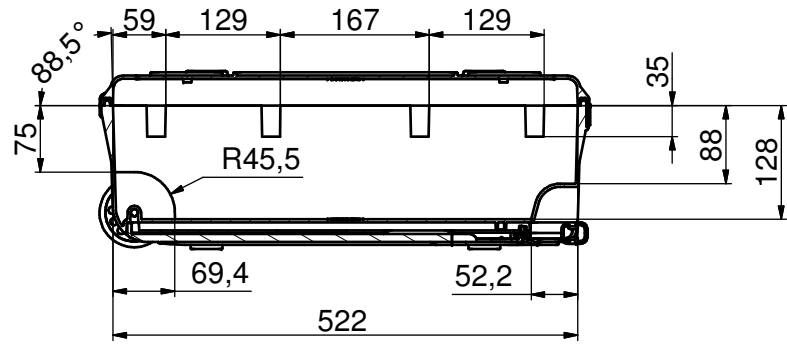
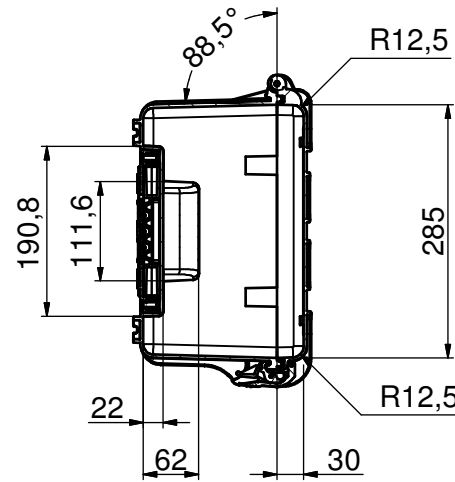


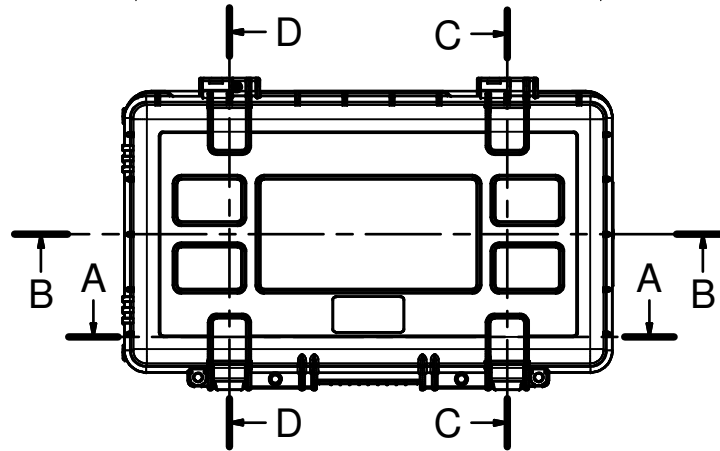
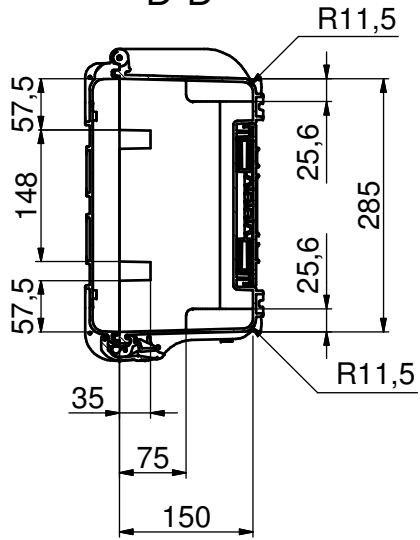
B-B



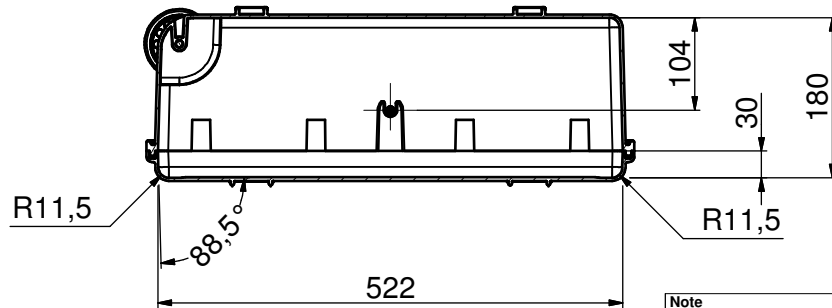
C-C



D-D



A-A



**EXPLORER CASES**  
**Internal dimensions**  
**GT Line - TechDept - All rights reserved**

Note				Size	General Tolerance
<b>ALL DIMENSIONS IN mm</b>				<b>A3</b>	<b>±1,5%</b>
				Scale	
Material			Treatment		Color
Designer	Date	Check	Date	Replace by	Date
	<b>30/07/2019</b>				
Description				Revision	
				File Name	
				<b>5218</b>	