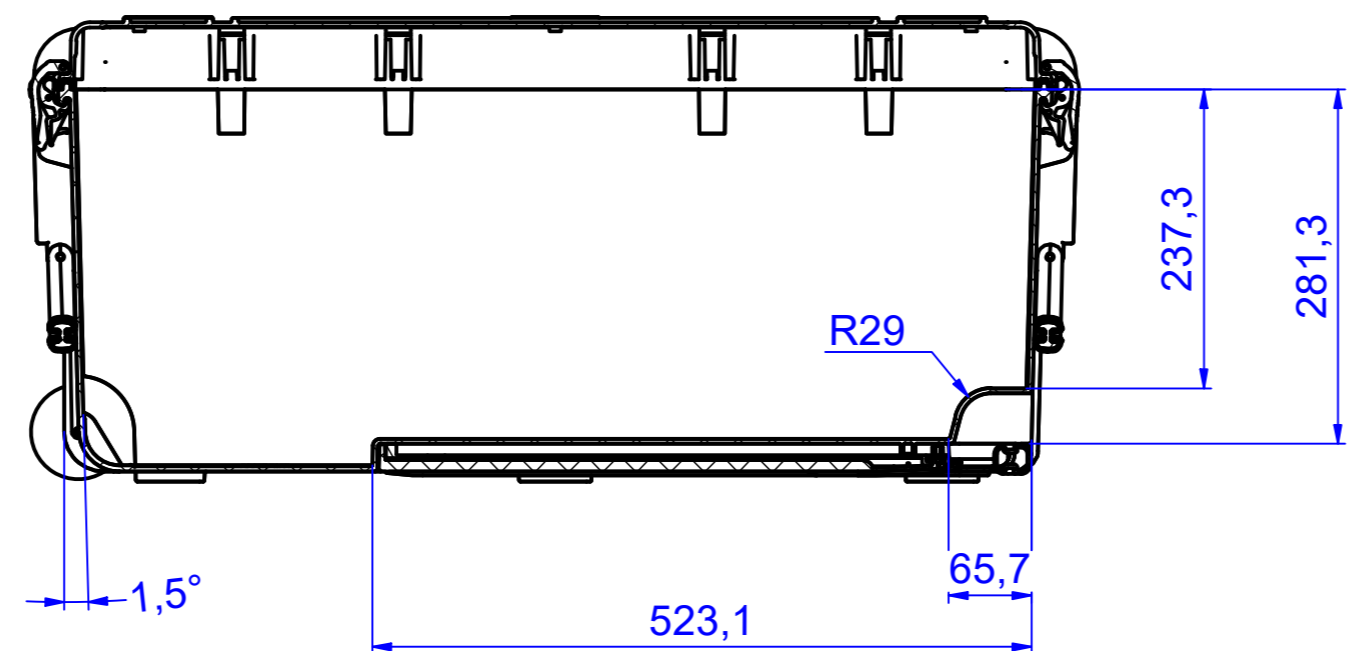
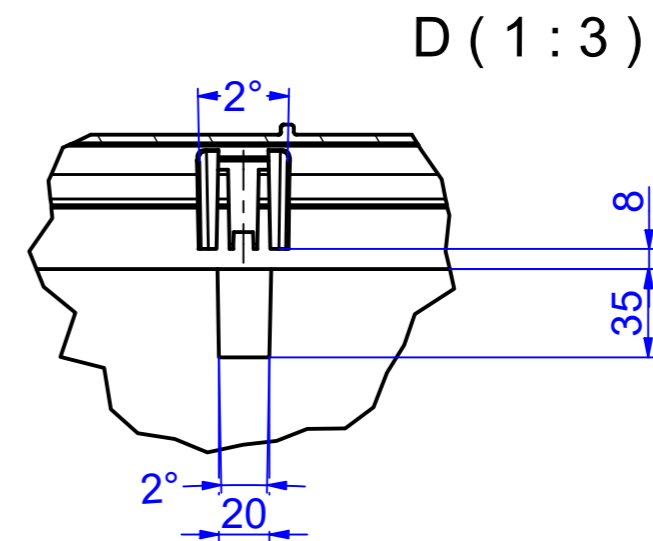


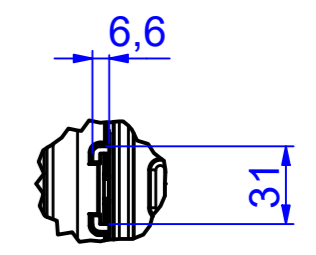
B-B (1:6)



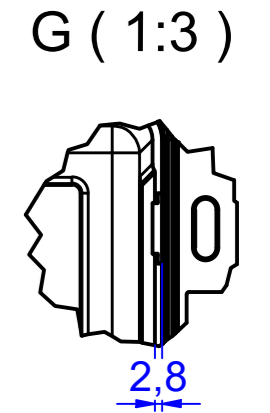
C-C (1:6)



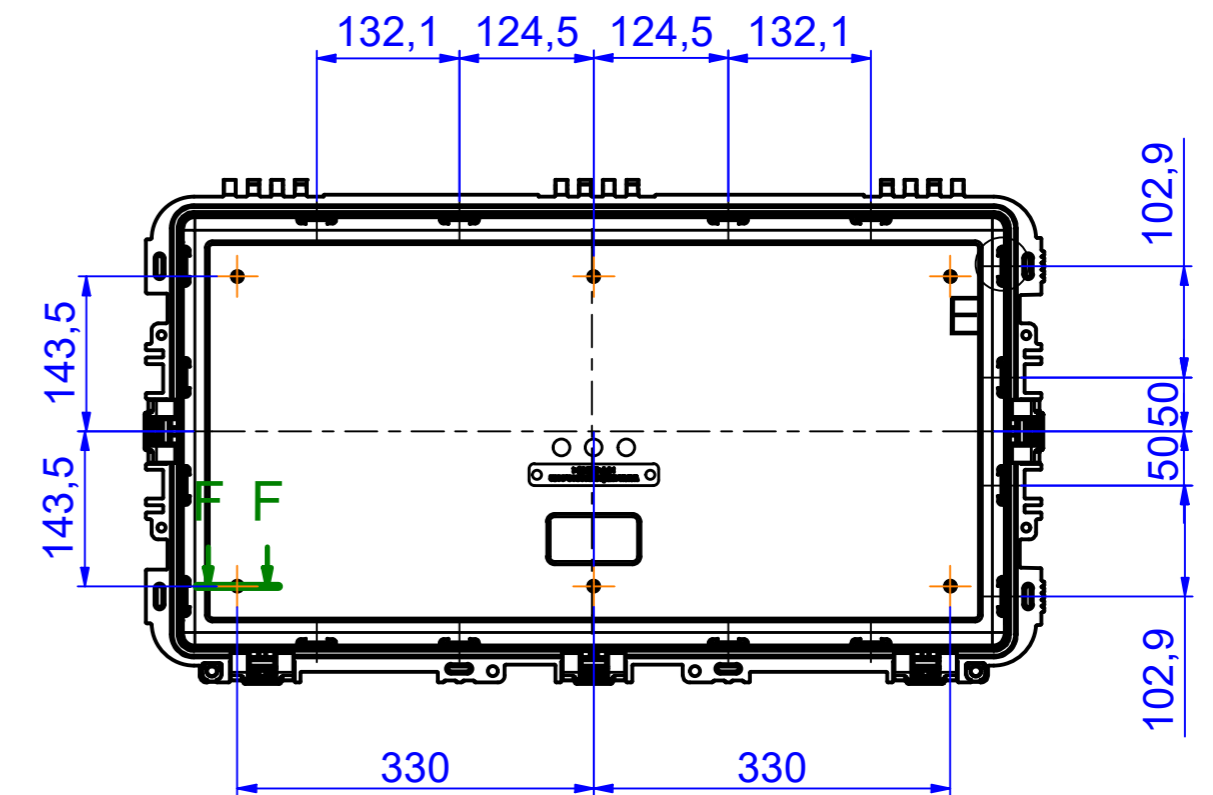
D (1:3)



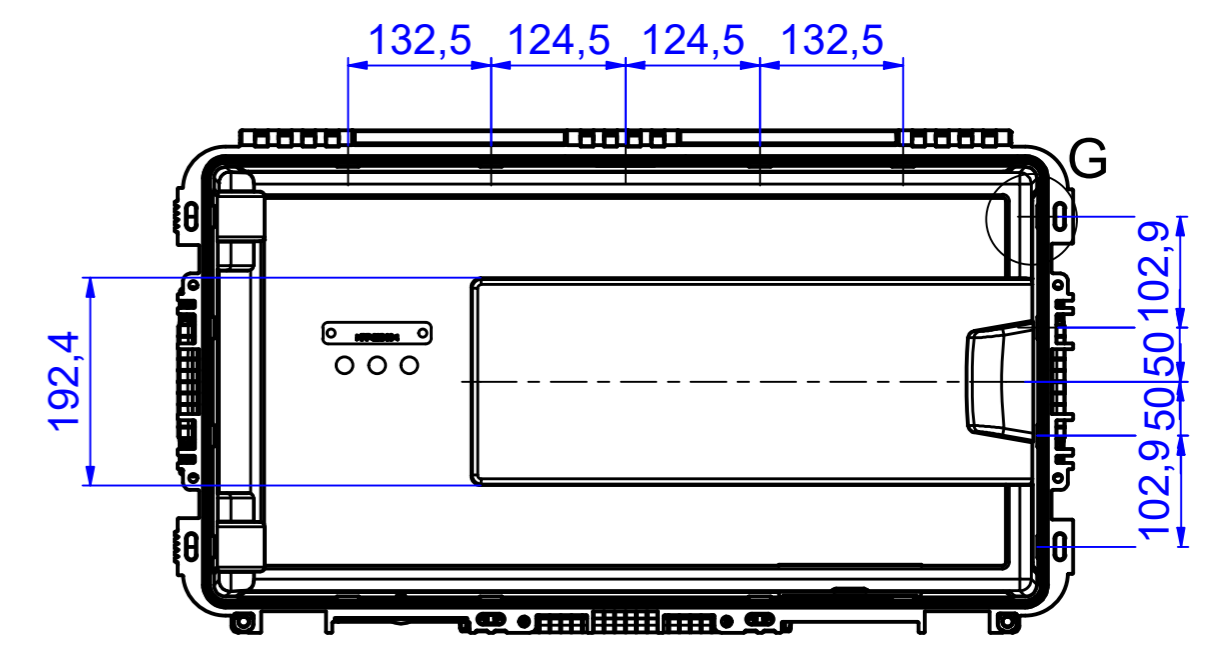
E (1:3)



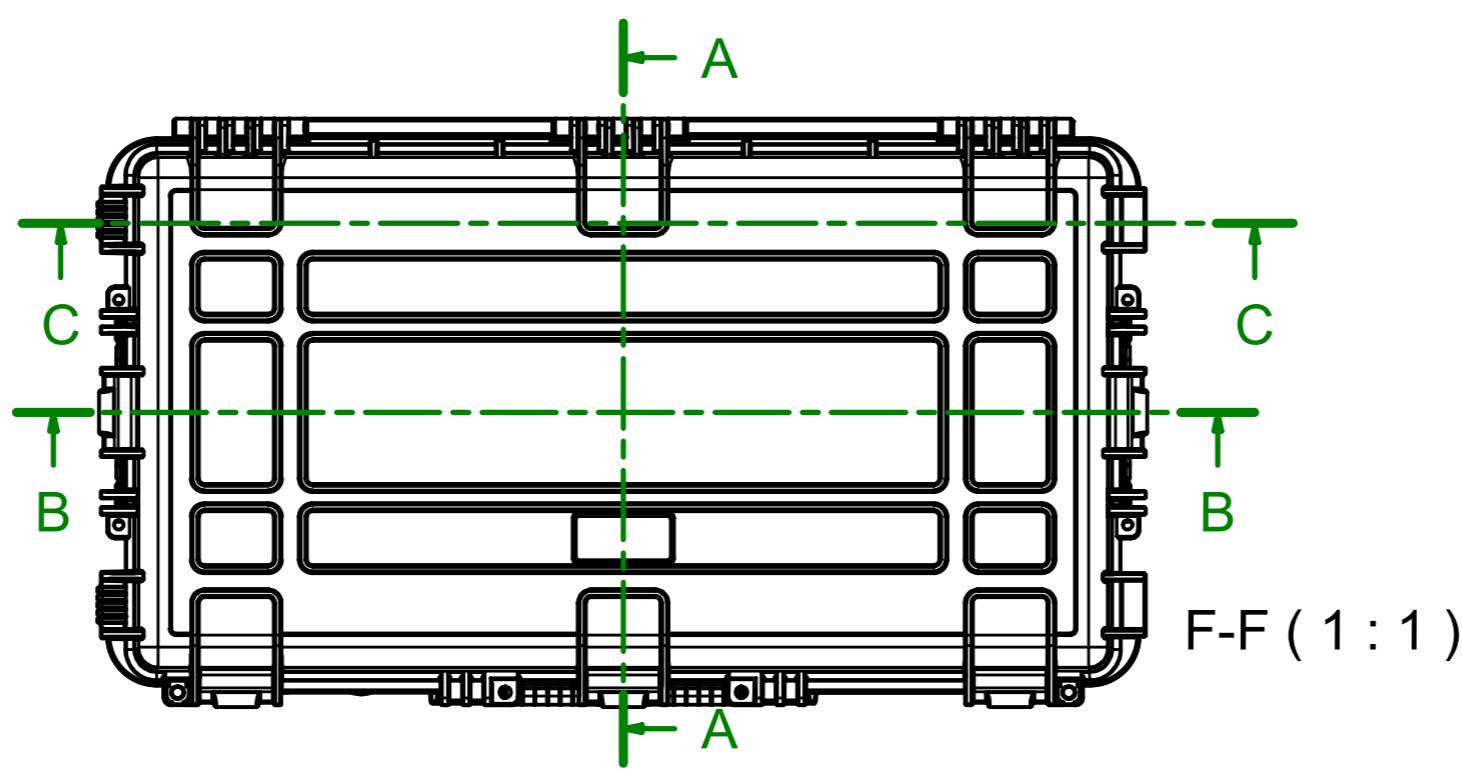
G (1:3)



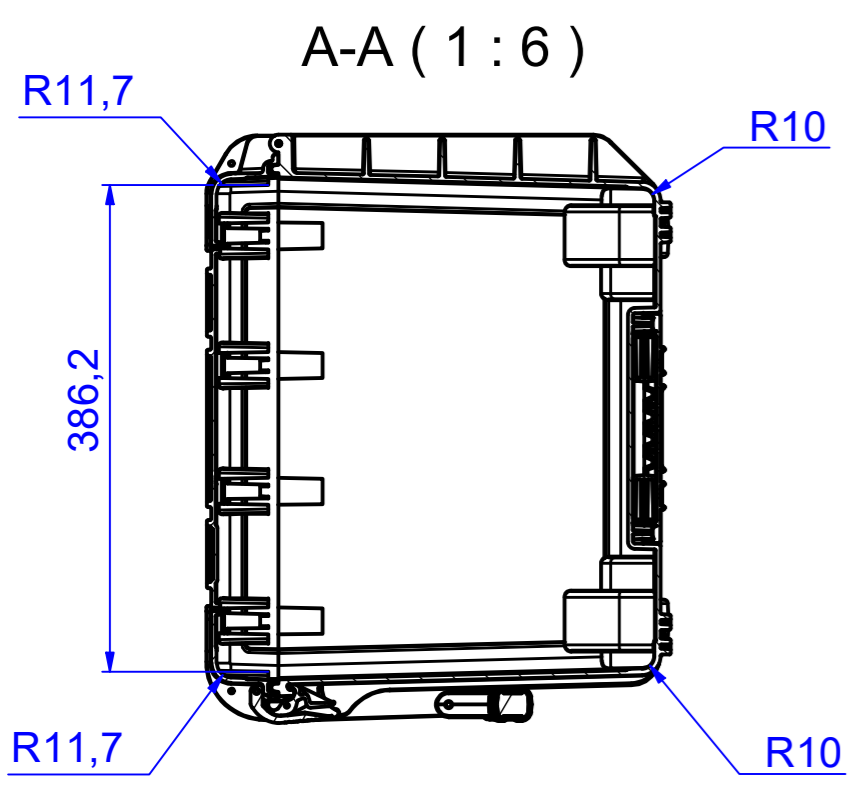
INTERNAL VIEW LID



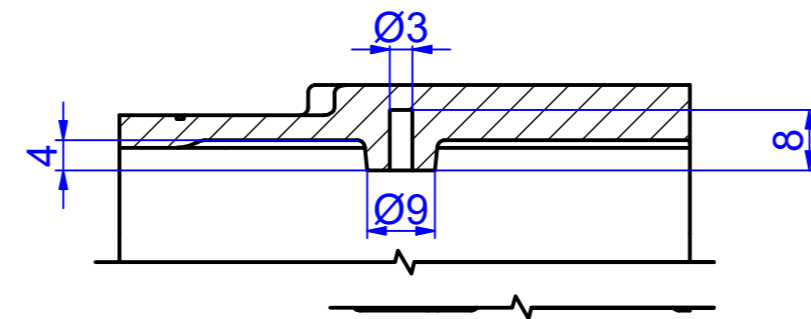
INTERNAL VIEW BOTTOM



F-F (1:1)



A-A (1:6)



EXPLORER CASES  
 External dimension-general tolerance +/-1.5%  
 GT Line - TechDept - All rights reserved

Note		Size <b>A2</b>	General Tolerance <b>±0,1</b>
		Scale <b>1 : 6</b>	
Material	Treatment		Color
Designer	Date <b>19/12/2022</b>	Check	Date
Description		Replace by	Date
		File Name <b>7635</b>	Revision