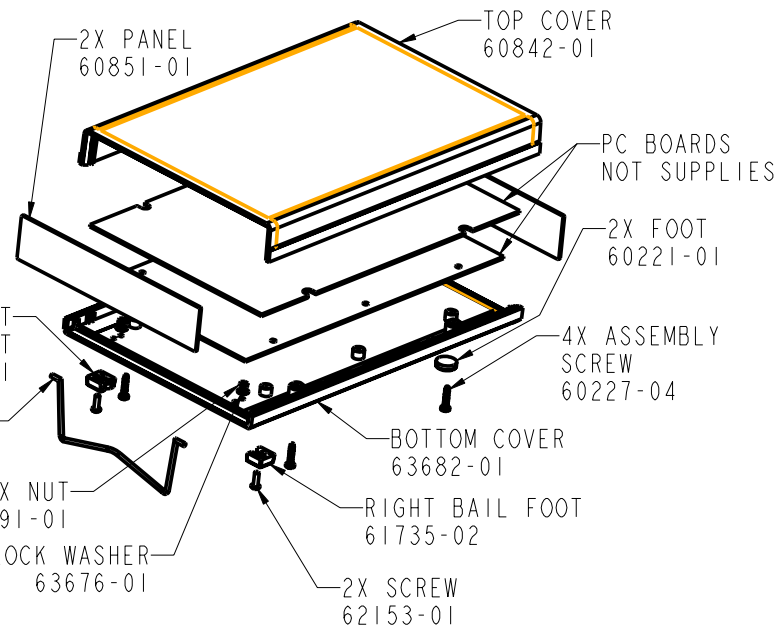
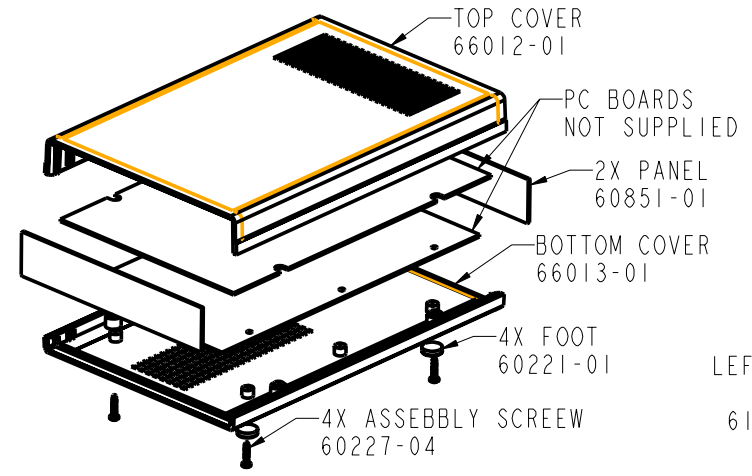


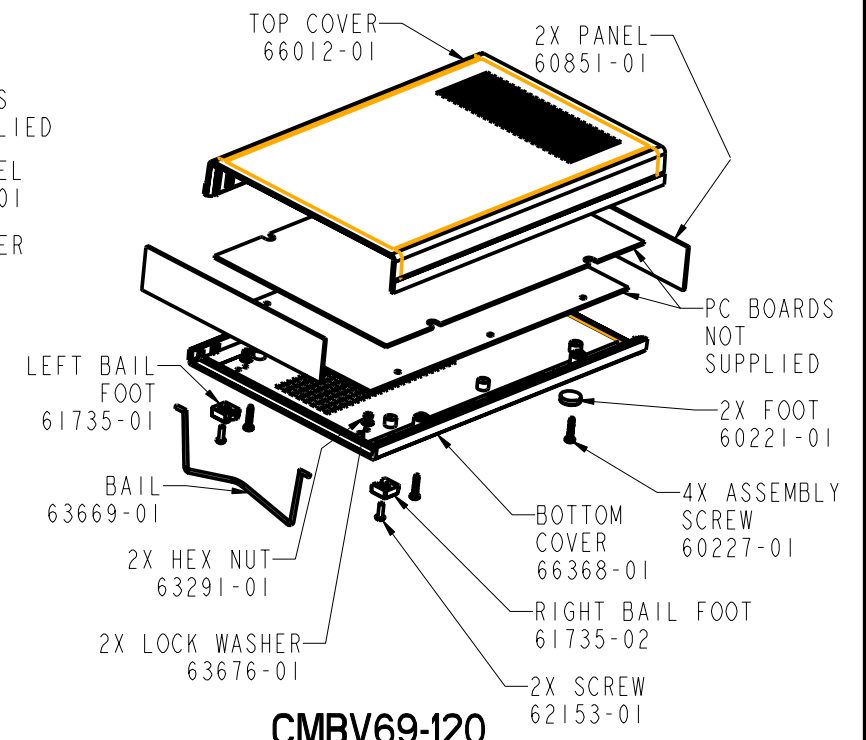
CM69-120



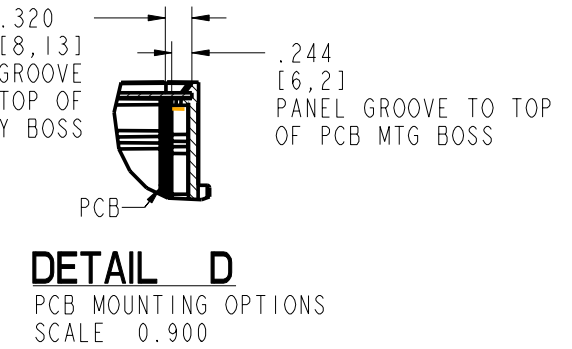
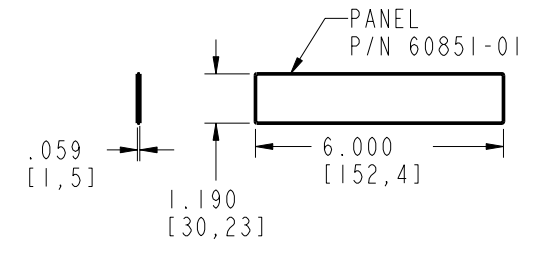
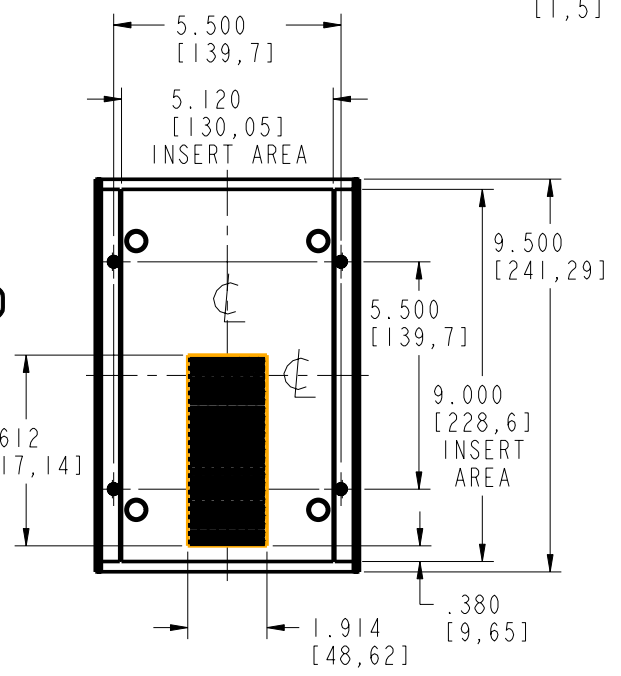
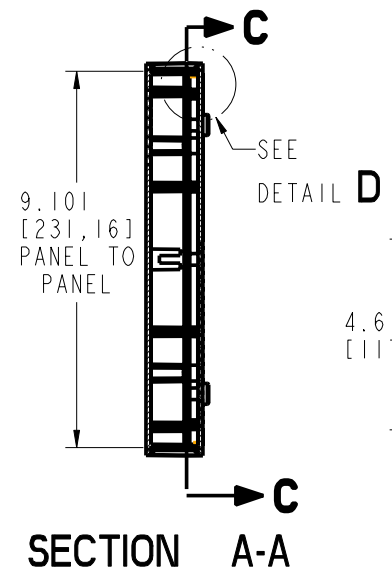
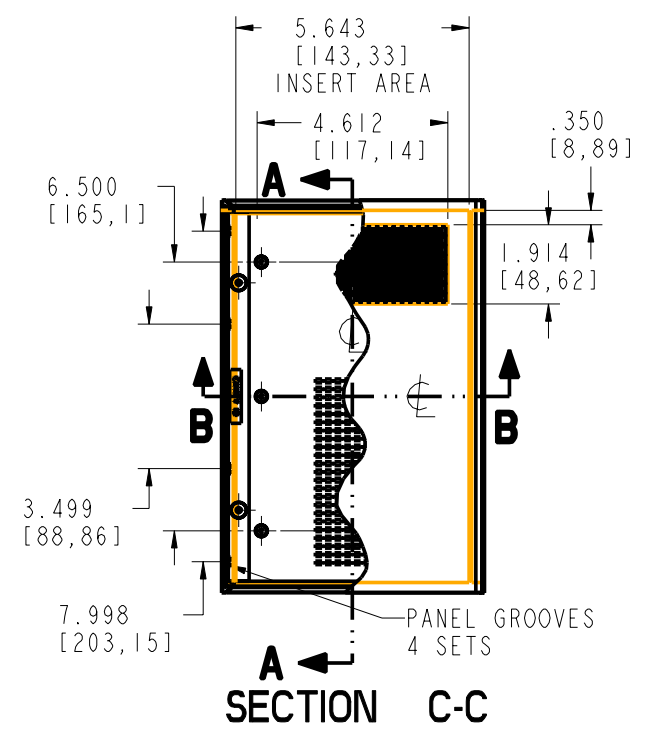
CMB69-120



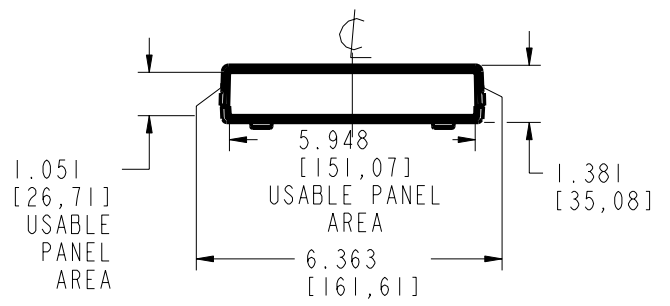
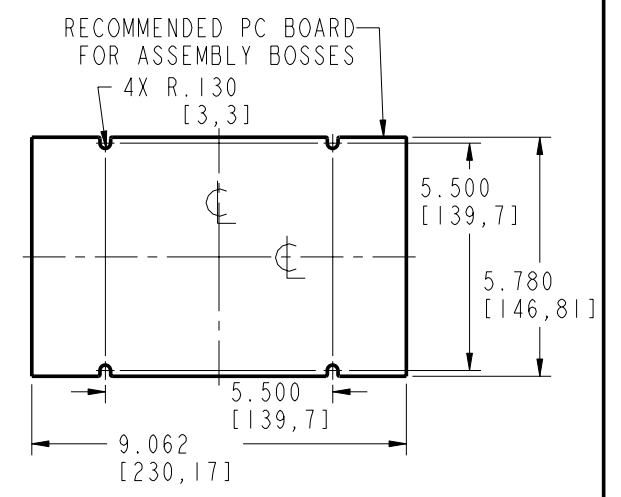
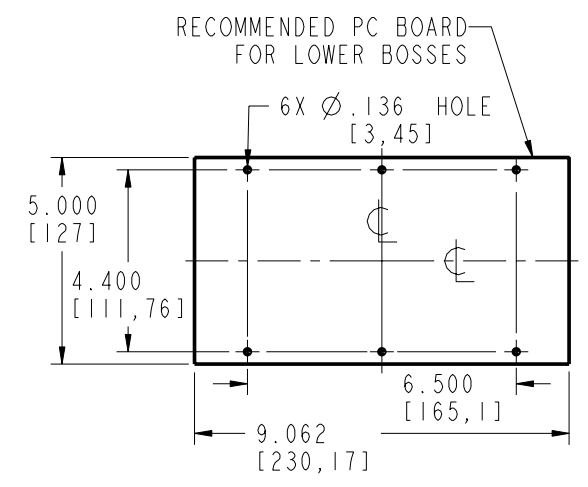
CMV69-120



CMBV69-120



DETAIL D
PCB MOUNTING OPTIONS
SCALE 0.900



PACINTEC®
1-610-361-4200

**CM69-120, CMB69-120,
CMV69-120, CMBV69-120**

VISIT **PACINTEC®**
ON THE WORLD WIDE WEB
www.pactecenclosures.com

| COLOR / MATERIAL CODE | | |
|-----------------------|------|------|
| COLOR | 94HB | 94VO |
| BLACK | 000 | 028 |
| P.C.BONE | 039 | 060 |

| DRAWING NUMBER | REV |
|----------------|-----|
| 60905 | F |