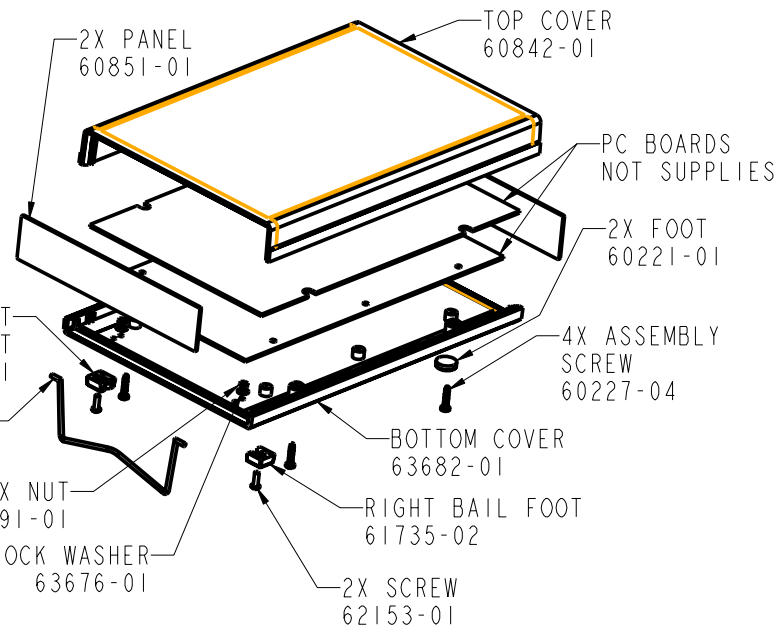
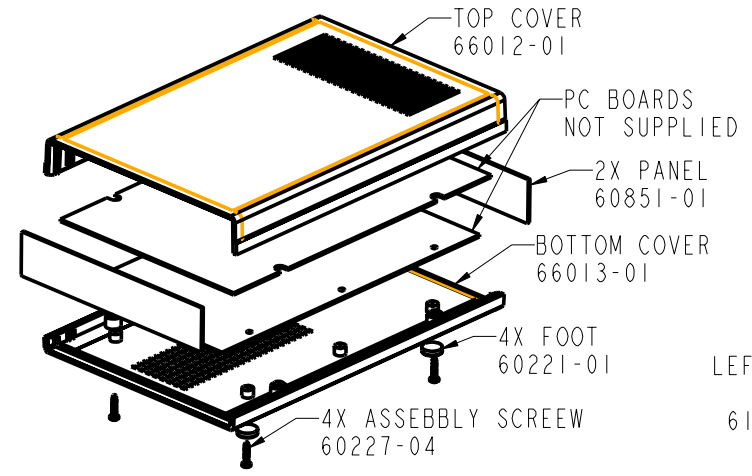


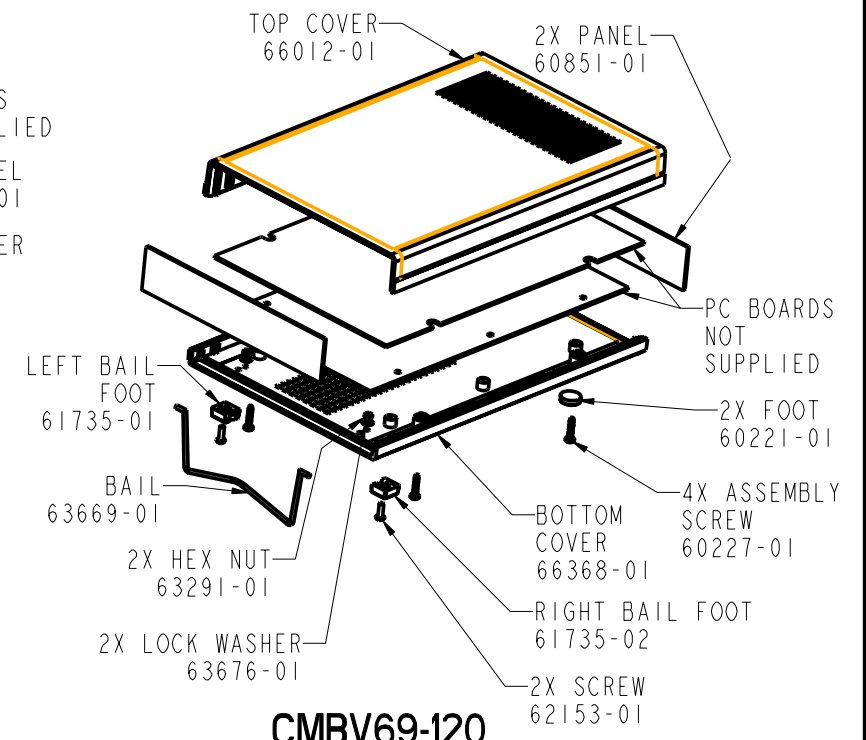
**CM69-120**



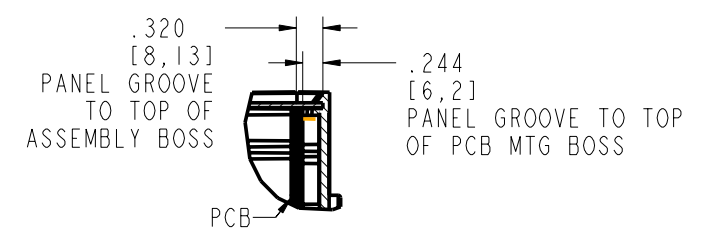
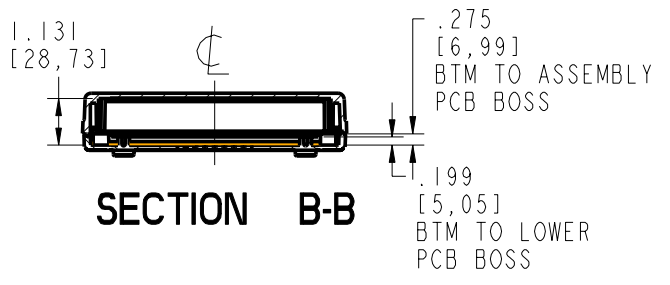
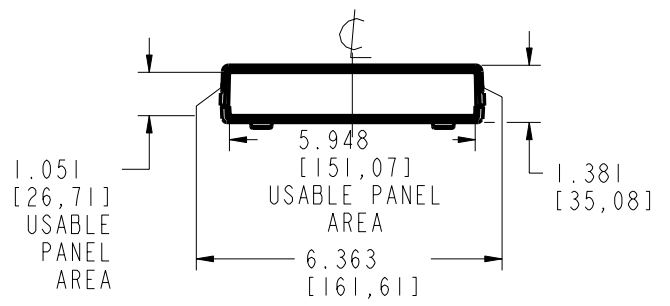
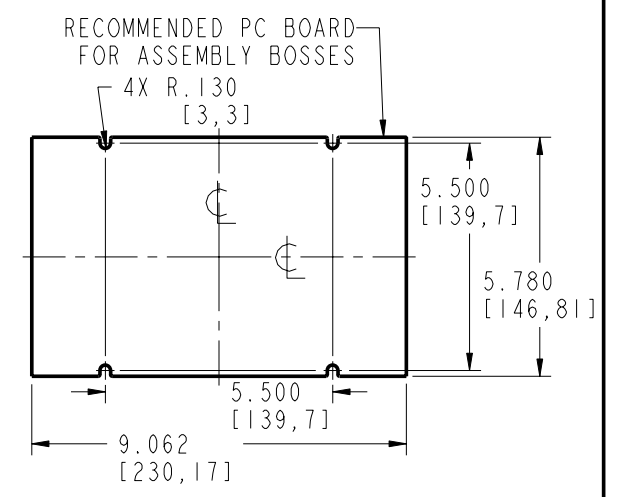
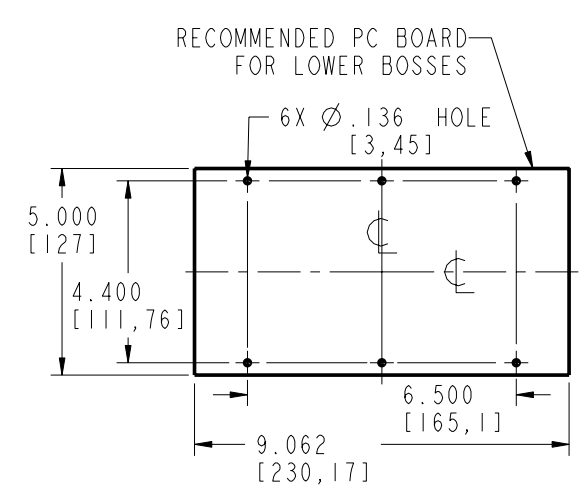
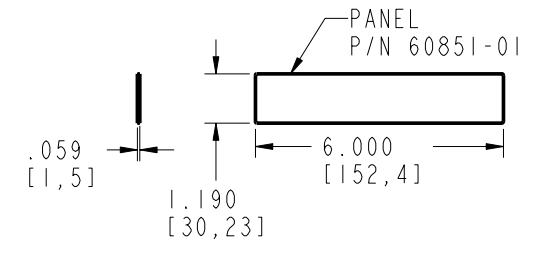
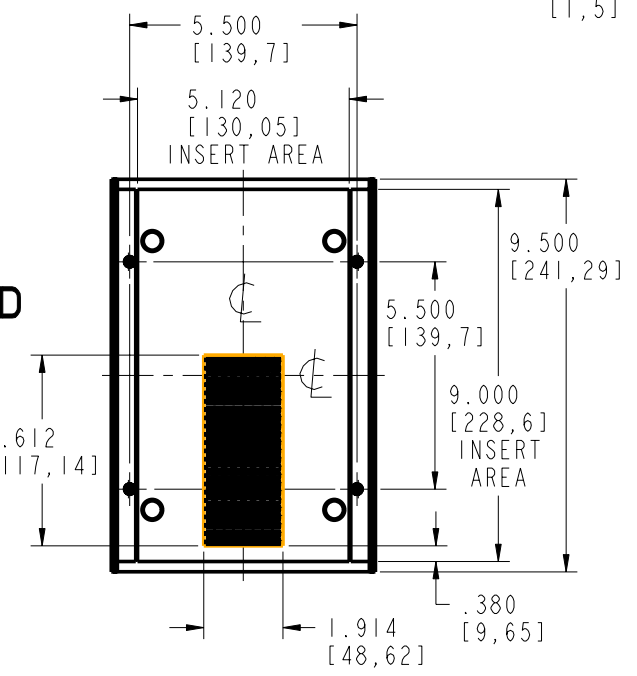
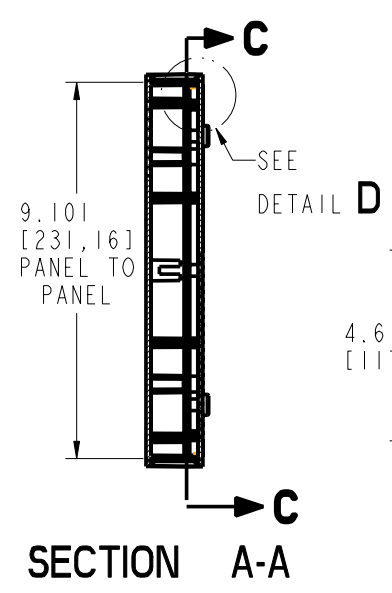
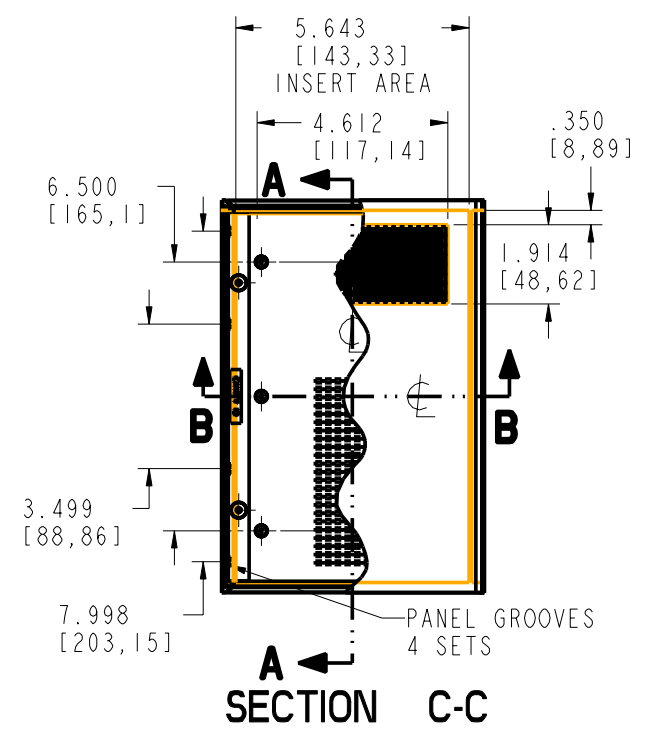
**CMB69-120**



**CMV69-120**



**CMBV69-120**



**DETAIL D**  
PCB MOUNTING OPTIONS  
SCALE 0.900

**PACINTEC®**  
1-610-361-4200

**CM69-120, CMB69-120,  
CMV69-120, CMBV69-120**

VISIT **PACINTEC®**  
ON THE WORLD WIDE WEB  
[www.pactecenclosures.com](http://www.pactecenclosures.com)

COLOR / MATERIAL CODE		
COLOR	94HB	94VO
BLACK	000	028
P.C.BONE	039	060

DRAWING NUMBER	REV
60905	F