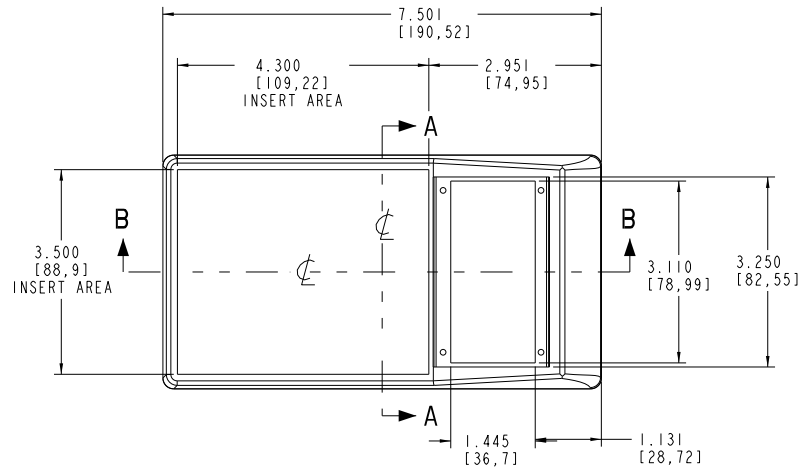
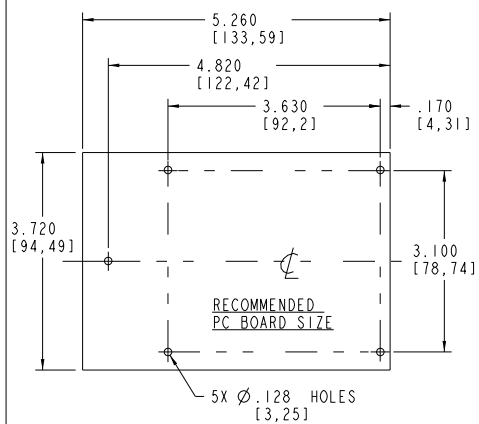
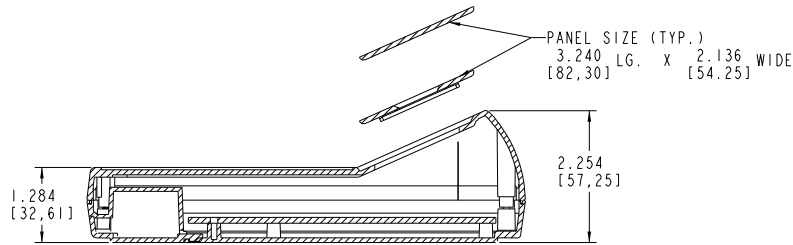


SECTION A-A

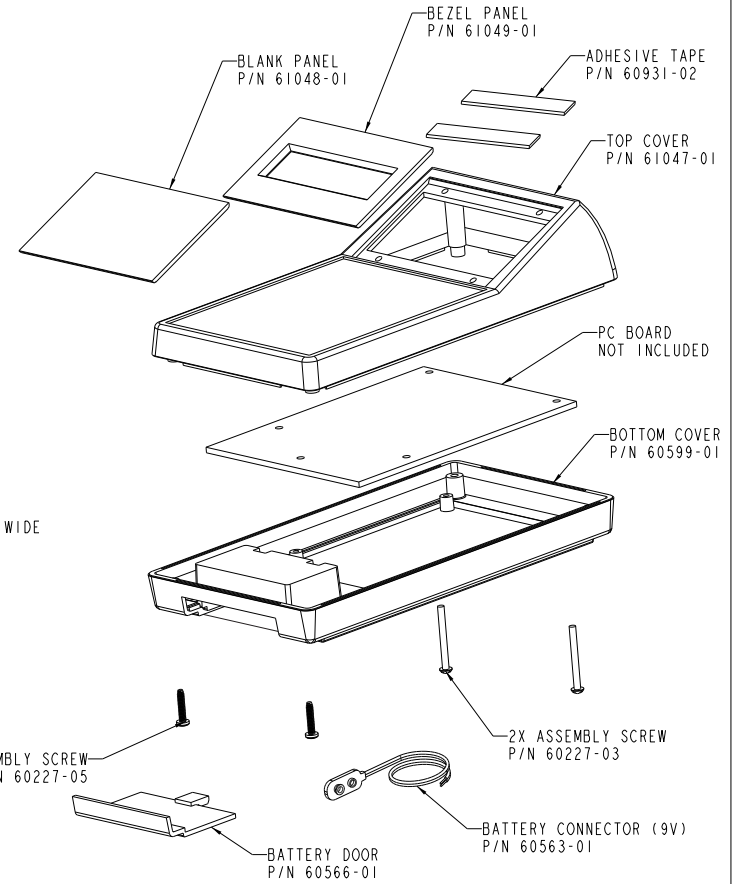
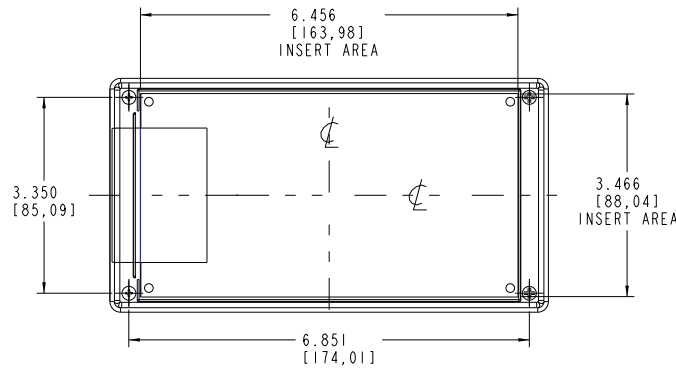


SECTION B-B



RECOMMENDED
PC BOARD SIZE

5X ϕ .128 HOLES
[3,25]



PACINTEC®

1-610-361-4200

HPLS-9VB

VISIT **PACINTEC®**
ON THE WORLD WIDE WEB
www.pactecenclosures.com

COLOR / MATERIAL CODE		
COLOR	94HB	94VO
BLACK	000	028
P. C. BONE	039	060

DRAWING NUMBER	REV
61639	B