

Series 28 Lok Tainer

WEIGHT

.97g/cm (.087 oz/in)

RECOMMENDED TORQUE

17.7 N-cm (25 in-oz)

MATERIALS AND FINISH

HOUSING

Material:

.025-in. (.64-mm) thick Beryllium Copper per QQ-C-533 or

.024-in. (.61-mm) thick Cold Rolled Steel per ASTM A-366

Finish:

See finish table on opposite page

CAM

Material:

Beryllium Copper per QQ-C-533

Finish:

See finish table on opposite page

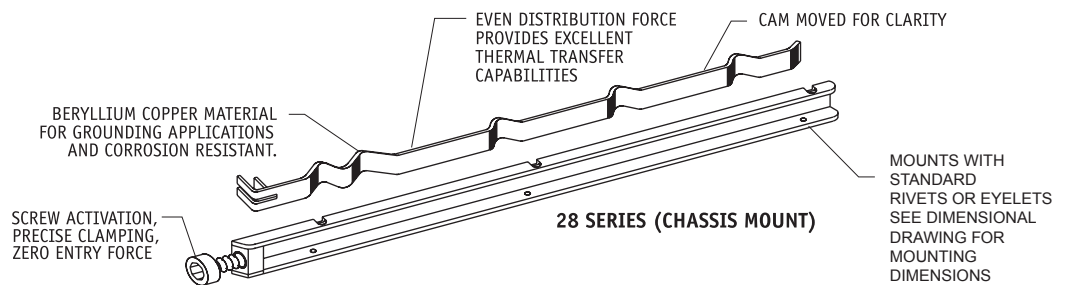
SCREW

Material:

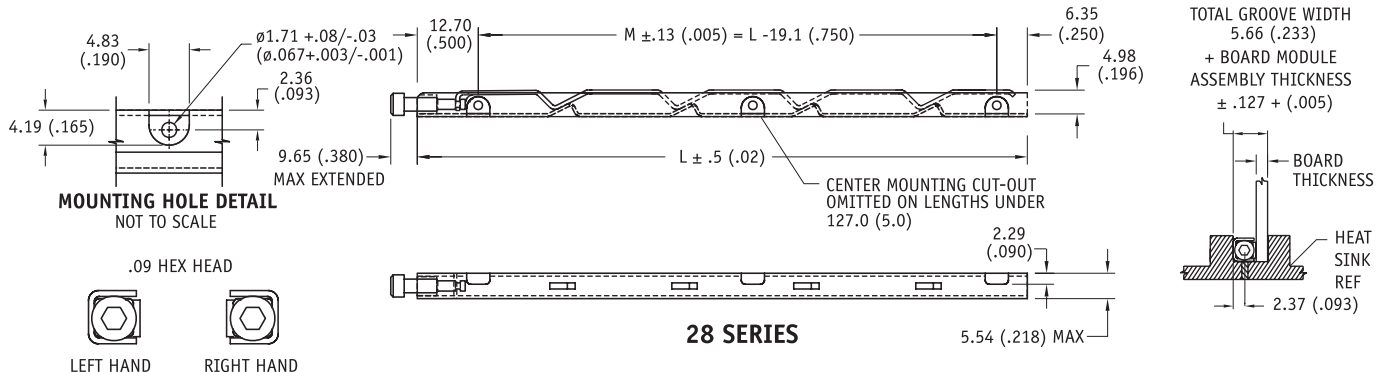
Stainless steel

Finish:

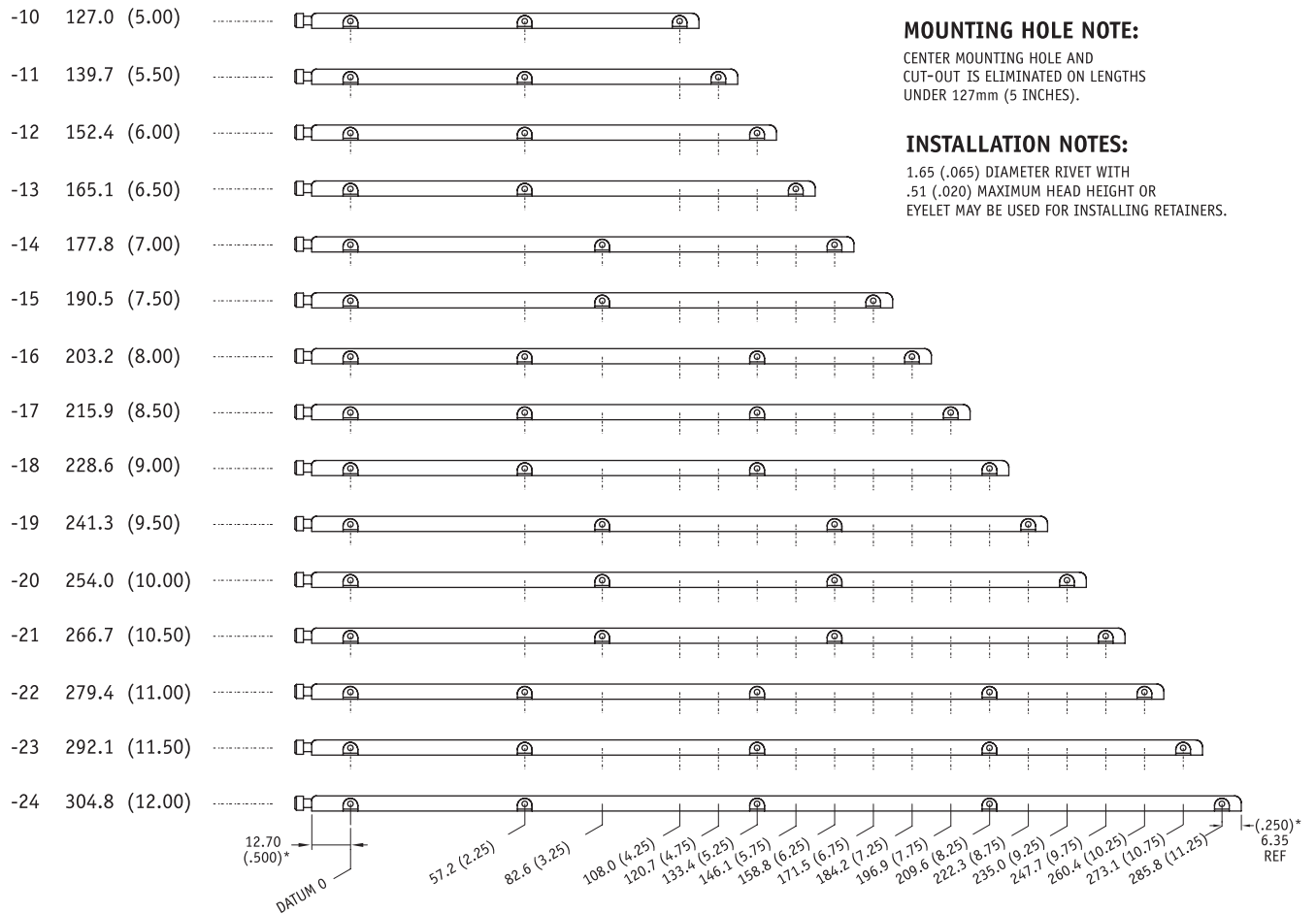
Passivated



Units: mm(in)
 unless specified otherwise,
 .xx = ± .25, .x = ± .5
 (.xxx = ±.010, .xx = ± .02)



MOUNTING HOLE DIMENSIONS 28 SERIES



MOUNTING HOLE NOTE:

CENTER MOUNTING HOLE AND CUT-OUT IS ELIMINATED ON LENGTHS UNDER 127mm (5 INCHES).

INSTALLATION NOTES:

1.65 (.065) DIAMETER RIVET WITH .51 (.020) MAXIMUM HEAD HEIGHT OR EYELET MAY BE USED FOR INSTALLING RETAINERS.

*NOTE: -6 (3.00 INCHES) THRU -9 (4.50 INCHES) MOUNTING HOLE DIMS AS PER 12.70 (.500) DATUM AND 6.35 (.250) REF AS NOTED ABOVE.

Part Number Code

Series 28 LOK-TAINER Screw-Actuated

ZB- 28 B - 10 - 5 - L

Housing Material

Beryllium Copper

B

or select from Materials Table

Length

Length in 12.7 (.50) increments _____ 6 [76.2 (3.00)]
to 24 [304.8 (12.00)]

Finish

Gold Plate

5

or select from Finish Table

Lever Action

Left hand

L

Right hand

R

Part Number Code examples: 28B-16-7-L

Series 28 Screw-actuated LOK-TAINER, Beryllium Copper housing, 8.00-in. (203.2-mm) long, Clear Zinc plated, with left hand screw action

MATERIALS TABLE

CODE

LETTER

B BERYLLIUM COPPER, 1/4H PER ASTM-B-194
S STEEL PER ASTM-A-366

FINISH TABLE

DASH #

[blank]

SILVER PLATE PER QQ-S-365, TYPE III, GRADE A

-1

NONE

-2

EBANOL PER MIL-F-495 FOR BERYLLIUM COPPER PER MIL-C-13924 FOR STEEL

-3

CADMIUM PER QQ-P-416, TYPE 2, CLASS 2

-4

COPPER PLATE PER MIL-C-14550, CLASS 2

-5

GOLD PLATE PER MIL-G-45204, TYPE 1, GLASS 1

-6

NICKEL PLATE PER QQ-N-290, CLASS 1, GRADE G, BRIGHT

-7

ZINC PLATE CLEAR CHROMATE, PER ASTM-B-633, Fe/Zn 8

-8

ZINC PLATE YELLOW CHROMATE, PER ASTM-B-633, Fe/Zn 8

NOTE:

NO FINISH (-1) NOT AVAILBLE WITH "S" STEEL MATERIAL