



Series 35-6 PCB Tainer

## WEIGHT

.37 g/cm (.033 oz/in)

## MATERIALS AND FINISH

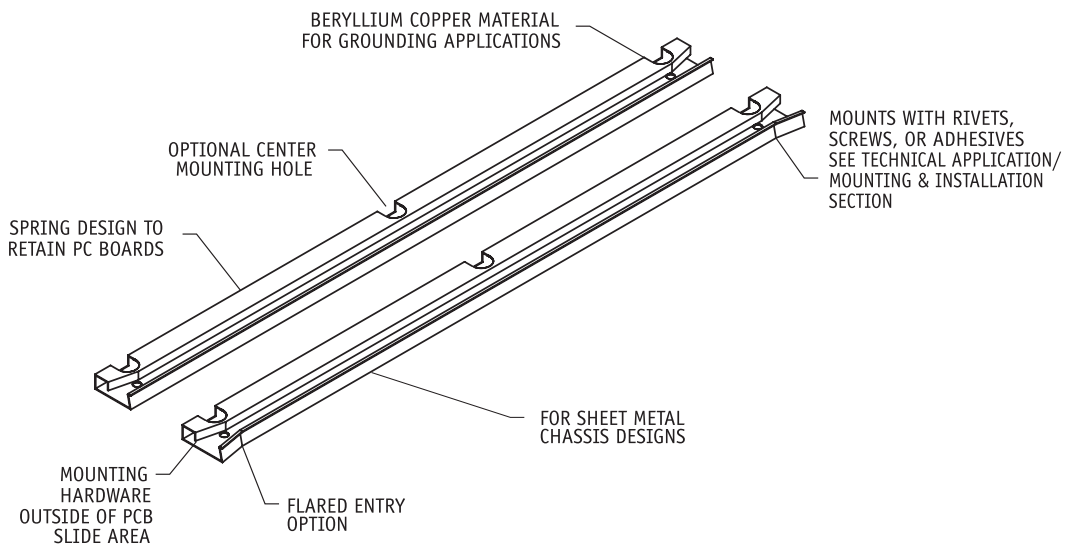
### HOUSING

#### Material:

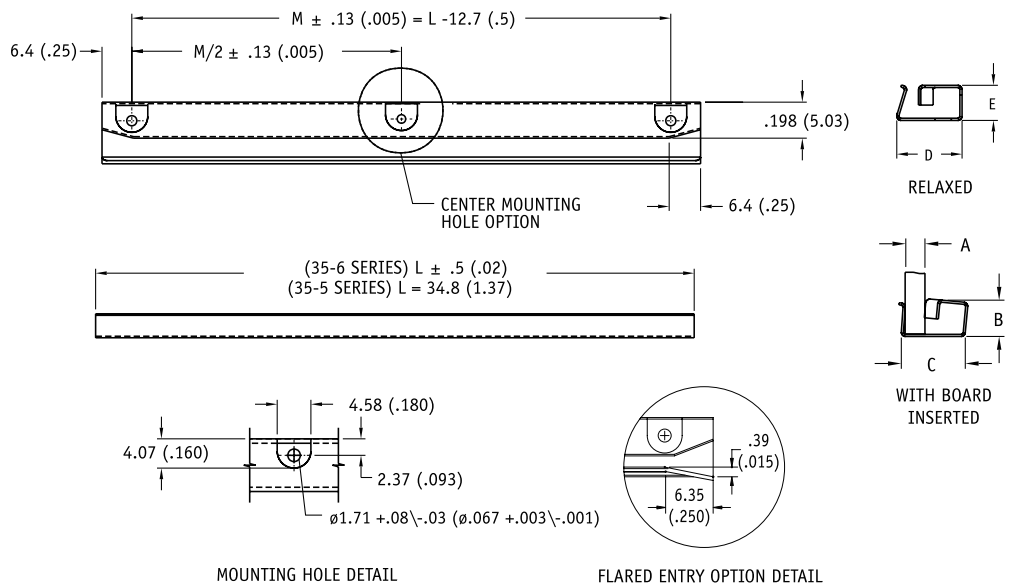
.008-in. (.20-mm) thick  
Beryllium Copper per ASTM  
B-194 or Stainless Steel per  
ASTM A-366

#### Finish:

See finish table on opposite  
page



Units: mm(in)  
unless specified otherwise,  
.xx = ± .25, .x = ± .5  
(.xxx = ±.010, .xx = ± .02)



MOUNTING HOLE DETAIL

FLARED ENTRY OPTION DETAIL

## MATERIALS TABLE

CODE LETTER	MATERIAL
B	BERYLLIUM COPPER, 1/4H PER ASTM-B-194
BH	BERYLLIUM COPPER, 1/4HT PER QQ-C-533, HEAT TREATED
CR	STAINLESS STEEL, TYPE 301 COND 1/4 H PER AMS 5517

## DIMENSION TABLE

DASH #	BOARD THICKNESS A	B	C MAX	D	E
-1	0.79 (.031)	4.58 (.180)	8.39 (.330)	7.57 (.298)	3.97 (.156)
-2	1.59 (.063)	4.58 (.180)	8.39 (.330)	7.57 (.298)	3.97 (.156)
-3	2.38 (.094)	4.58 (.180)	8.39 (.330)	7.57 (.298)	3.97 (.156)
-4	3.18 (.125)	4.58 (.180)	9.40 (.370)	8.39 (.330)	3.97 (.156)

## FINISH TABLE

DASH #	FINISH
[blank]	SILVER PLATE PER QQ-S-365, TYPE III, GRADE A
-1	NONE
-2	EBANOL PER MIL-F-495 FOR BERYLLIUM COPPER PER MIL-C-13924 FOR STEEL
-3	CADMIUM PER QQ-P-416, TYPE 2, CLASS 2
-4	COPPER PLATE PER MIL-C-14550, CLASS 2
-5	GOLD PLATE PER MIL-G-45204, TYPE 1, GLASS 1
-6	NICKEL PLATE PER QQ-N-290, CLASS 1, GRADE G, BRIGHT
-7	ZINC PLATE CLEAR CHROMATE, PER ASTM-B-633, Fe/Zn 8
-8	ZINC PLATE YELLOW CHROMATE, PER ASTM-B-633, Fe/Zn 8

<b>Part Number Code</b>	
<b>Series 35-6 PCB</b>	ZB- 35 C F -6 B - 2 - 10 - 5
<b>Center Mounting Hole</b>	
Center Mounting Hole _____ C	
None _____ [Blank]	
<b>Flared Entry</b>	
Flared Entry: _____ F	
None: _____ [Blank]	
<b>Material</b>	
Beryllium Copper _____ B	
or select from Materials Table	
<b>Board Thickness</b>	
1.59 (.063) PCB Thickness _____ 2	
or select from Board Thickness Table	
<b>Length</b>	
Length in 12.7 (.50) increments _____ 4 [50.8 (2.00)]	
_____ to 12 [152.4 (6.00)]	
<b>Finish</b>	
Gold Plate _____ 5	
or select from Finish Table	
No dash number required for CR material. Stainless steel parts are passivated only.	

### Part Number Code examples: 35F-6B-3-10-6

35 Series PCB-TAINER, Beryllium Copper with Flared Entry, 2.38-mm (.094-in.) thick board, 127.0-mm (5.00-in.) long, nickel plate finish.