



Series 38 Card Guide

WEIGHT

0.54 g/cm (.048 oz./in.)

MATERIALS AND FINISH

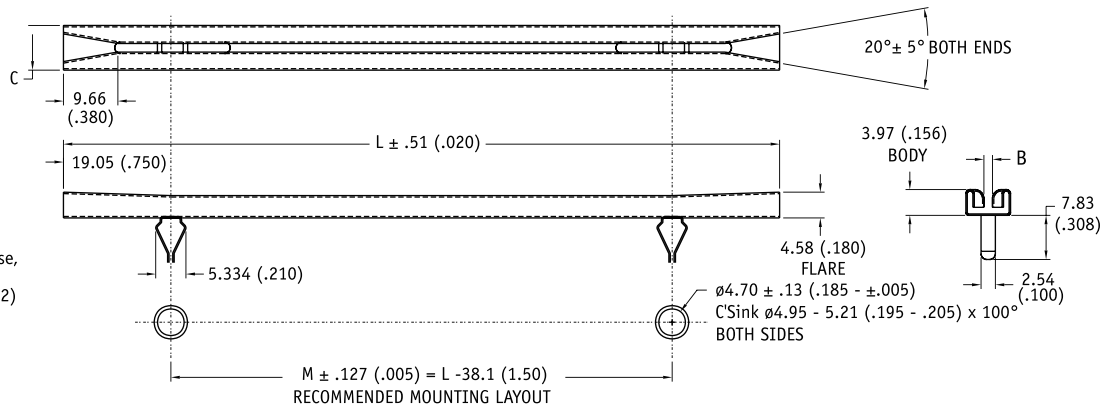
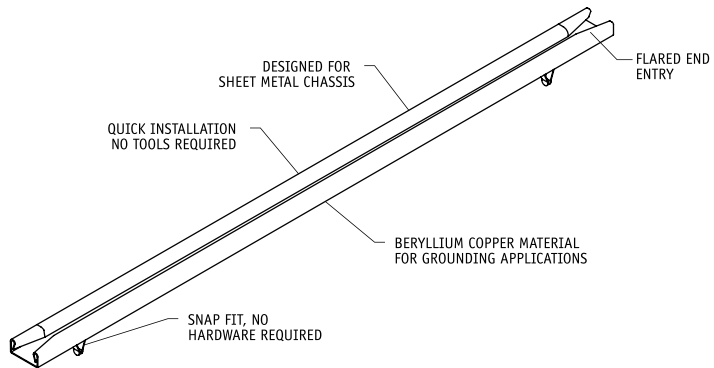
HOUSING

Material:

.010-in. (.25-mm) thick
Beryllium Copper 1/4 HT
per QQ-C-533, Heat
Treated

Finish:

See finish table on opposite
page



Part Number Code

Series 38 SNAP-TAINER Card Guide

ZB- 38 - 2 - 10 - 5

Board Thickness

1.60 (.063) PCB Thickness 2
or select from Board Thickness Table

Length

Length in .50 (12.7) increments 6 [76.2 (3.00)]
to 16 [203.2 (8.00)]

Finish

Gold Plate 5
or select from Finish Table

Part Number Code example: 38-3-14-8

Series 38 SNAP-TAINER Card Guide, for .094-in. (2.38-mm) thick board,
7.00-in. (177.8-mm) long, zinc plate yellow chromate finish.

BOARD THICKNESS TABLE

DASH #	THICKNESS ±.130 (.005)	B		C
		+ .130 / - 2.54 (+ .005 / - .010)		±.254 (.010)
-1	0.79 (.031)	0.76 (.030)		7.92 (.312)
-2	1.59 (.063)	1.52 (.060)		7.92 (.312)
-3	2.38 (.094)	2.29 (.090)		8.89 (.350)
-4	3.18 (.125)	3.18 (.125)		9.65 (.380)

FINISH TABLE

DASH #	
[blank]	SILVER PLATE PER QQ-S-365, TYPE III, GRADE A
-1	NONE
-4	COPPER PLATE PER MIL-G-14550, CLASS 2
-5	GOLD PLATE PER MIL-G-45204, TYPE 1, CLASS 1
-6	NICKEL PLATE PER QQ-N-290, CLASS 1, GRADE G, BRIGHT
-7	ZINC PLATE CLEAR CHROMATE, PER ASTM-B-633, Fe/Zn 8
-8	ZINC PLATE YELLOW CHROMATE, PER ASTM-B-633 Fe/Zn 8