

Series 40 Wedge Lok

DSCC 84103 & CID 59590

RECOMMENDED GAP WIDTH

PCB + 7.62 (.300)

RECOMMENDED TORQUE

80 N-cm (7 in-lbs)

WEIGHT

1.07 g/cm (.00027/in)

MATERIALS AND FINISH

WEDGES

Material:
Aluminum Alloy 6061-T6 per •••••
•••••

Finish:
See finish table on opposite page

SCREW AND WASHERS

.09-in. or 2.5-mm hex. socket head cap screw, depending on mounting configuration

Material:
Series 300 stainless steel per QQ-S-763 ASTM A-582

Finish:
Passivated per AMS2700

OPTIONAL LOCK FLAT WASHER

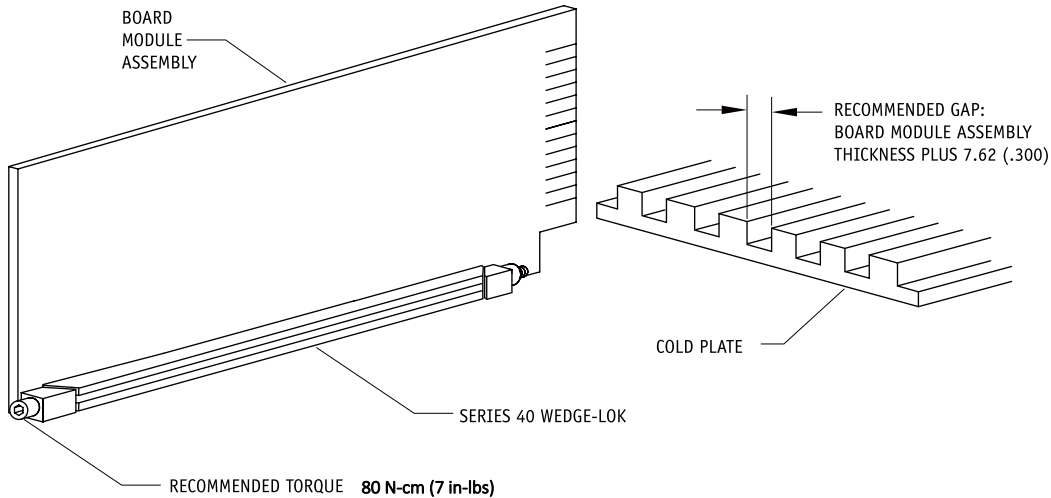
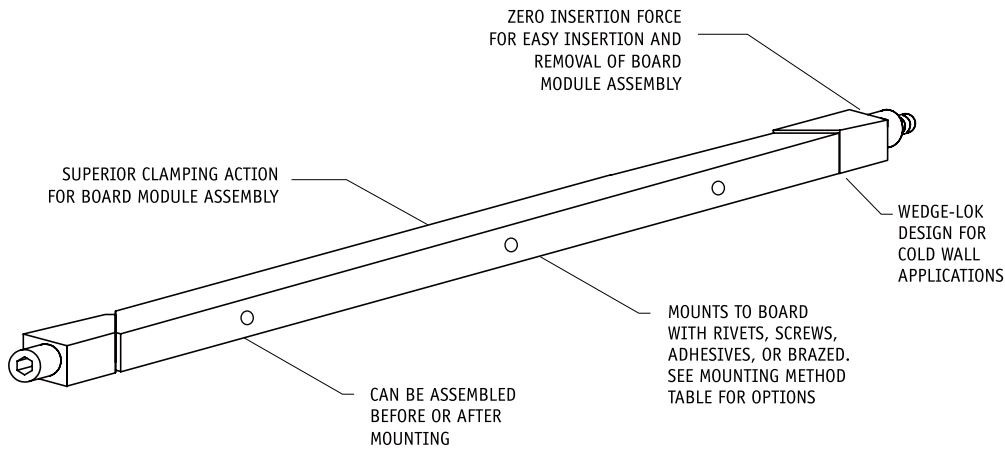
Material:
300 series stainless steel per QQ-S-763 and ASTM A-582

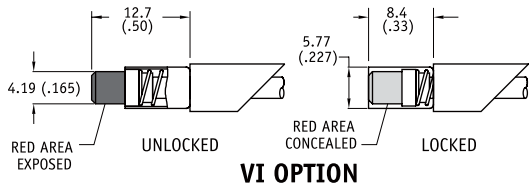
Finish:
Passivated per AMS2700

OPTIONAL LOCKNUT

Material:
Type A286 stainless steel per ASTM AMS 5525

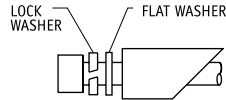
Finish:
Silver plate per AMS 2410





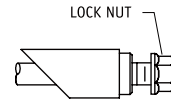
VI OPTION

Indicates assembly is unlocked
(adds 5.1 (.20) to screw length)



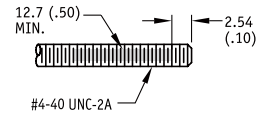
LF OPTION

Provides additional resistance to shock and vibration (adds 2.5 (.10) to screw length)



LN OPTION

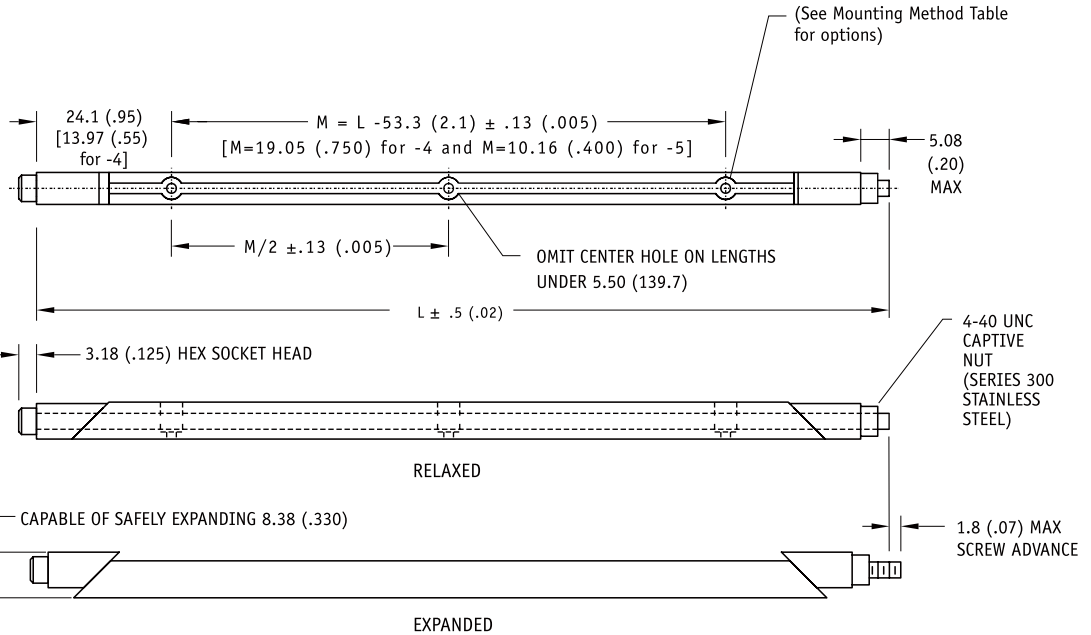
Captivates rear wedge when untorqued (adds 2.5 (.10) to screw length)



L OPTION

Provides additional resistance to shock and vibration

Units: mm(in)
unless specified otherwise,
.xx = ± .25, .x = ± .5
(.xxx = ±.010, .xx = ± .02)



Part Number Code

Series 40 WEDGE-LOK Three-piece	ZB-40	VI	-	10	-	B	-	LF	-	LN	-	S	-	L
Optional Visual Indicator		VI												
Visual Indicator														
None		[Blank]												
Length														
Length in 12.7 (.50) increments				4										
				to 24										
Finish														
Black Anodized														B
or select code letter from Finish Table														
Lock/Flat Washers and Locknut														
Lock Washer and Flat Washer														LF
None														[Blank]
Lock Nut														LN
None														[Blank]
Mounting														
2-56 UNC-2B Tapped Holes														S
Or select code letter from Mounting Method Table														
Lock Patch														
Lock Patch														L
None														[Blank]

Part Number Code example: ZB-40VI-12-LF

Series 40 WEDGE-LOK Three-piece, 152.4 (6.00) long, with Visual Indicator option, Chem Film finish, standard rivet hole mounting, and Lock and Flat Washer option.

FINISH TABLE

CODE LETTER	SURFACE FINISH
[blank]	CHEMICAL FILM PER MIL-C-5541, CLASS 1A, GOLD, N ON ROHS COMPLIANT
CC	CHEMICAL FILM PER MIL-C-5541, CLASS 1A, CLEAR
EN	ELECTROLESS NICKEL PER MIL-C-26074, CLASS 4, GRADE B, BRIGHT
N	NICKEL PLATE PER QQ-N-290, CLASS 1, GRADE G, BRIGHT
B	BLACK ANODIZE PER MIL-A-8625, TYPE II, CLASS 2
B3	HARD BLACK ANODIZE PER MIL-A-8625, TYPE III, CLASS 2
B3D	HARD BLACK ANODIZE WITH DRY FILM LUBE PER MIL- L46010

MOUNTING METHOD TABLE

CODE LETTER	METHOD
[blank]	RIVET MOUNT (Ø 1.70 + .10/-0.03 (.067 + .004/.001) THRU L Ø 3.96 (.156) ± 3.30 (.200) √ Ø 3.56 (.140) x 100°)
A	NO MOUNTING HOLES
S	2-56 UNC-2B TAPPED HOLE
T	0-80 UNF-2B TAPPED HOLE
M2	M2 X .40 TAPPED HOLE
M	M2.5 X .45 TAPPED HOLE
NOTE:	RIVET (BLANK) PARTS ARE SHIPPED UNASSEMBLED