



RECOMMENDED GAP WIDTH

PCB + 7.62 (.300)

RECOMMENDED TORQUE

80 N-cm (7 in-lbs)*

WEIGHT

1.16 g/cm (.104 oz/in)

MATERIALS AND FINISH

WEDGES

Material:

Aluminum Alloy 6061-T6 per QQ-A-200/8

Finish:

See finish table on opposite page

SCREW

.09-in. or 2.5-mm hex. socket head cap screw, depending on mounting configuration

Material:

300 series stainless steel per QQ-S-763

ASTM A-582

A286 per FF-S-86 with dry film lube per

MIL-L-46010 for "TLC" option

Finish:

Passivated per AMS2700

ALIGNMENTS PRINGS

Material:

301 stainless steel half hard per AMS 5518

Finish:

Passivated per AMS2700

OPTIONAL LOCK AND FLAT WASHER

Material:

300 series stainless steel per QQ-S-763 and

ASTM A-582

Finish:

Passivated per AMS2700

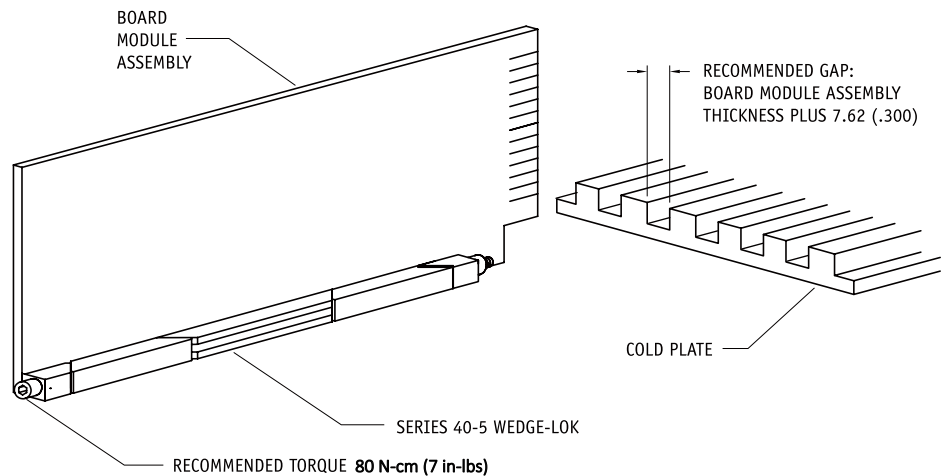
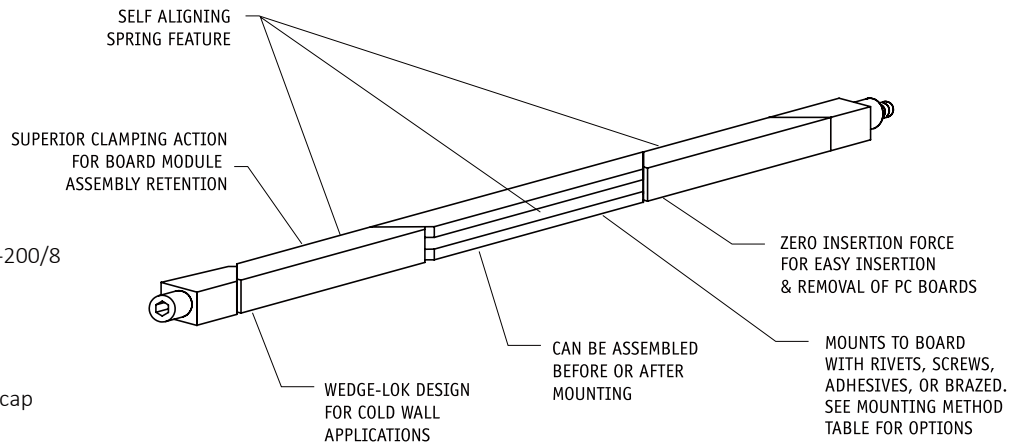
OPTIONAL LOCK NUT

Material:

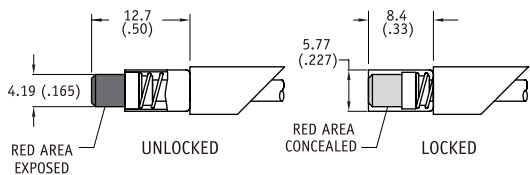
Type A286 stainless steel per ASTM AMS 5525

Finish:

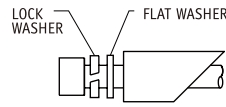
Silver plate per AMS 2410



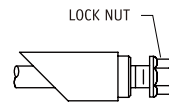
Series 40-5 Wedge Lok



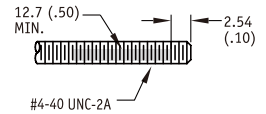
VI OPTION *
Indicates assembly is unlocked (adds 5.1 (.20) to screw length)



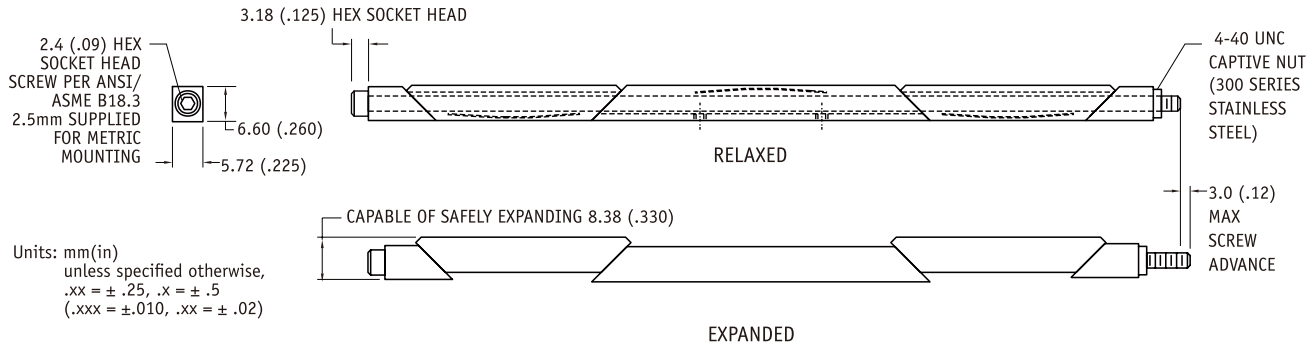
LF OPTION *
Provides additional resistance to shock and vibration (adds 2.5 (.10) in screw length)



LN OPTION
Captivates rear wedge when untorqued (adds 2.5 (.10) to screw length)

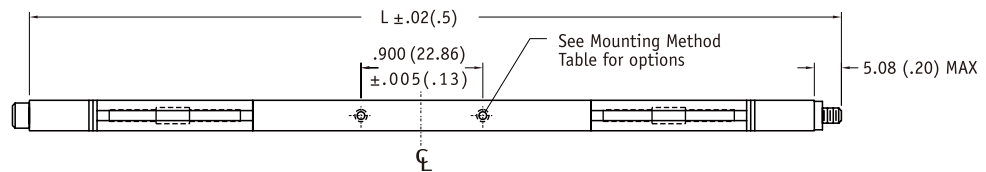


L OPTION
Provides additional resistance to shock and vibration



MOUNTING HOLE LOCATION

22.86 (.900) hole spacing centered on mounting body
-10 thru -13 2 holes
-14 thru -24 4 holes



Part Number Code	ZB-40-5	VI	-	10	-	B	-	LF	-	LN	-	S	-	L
Type														
Torque Limiting Version*														TLC
Standard version with Visual Indicator														VI
Standard version														[Blank]
Length														
Length in 12.7 (.50) increments														10 [127.0 (5.00)]
														to 24 [304.8 (12.00)]
Finish														
BlackAnodized														B
Or select code letter from Finish Table														
Lock/Flat Washers and Locknut														
Lock Washer and Flat Washer														LF
None														[Blank]
Lock Nut														LN
None														[Blank]
Mounting														
Standard 2-56 UNC-2B tapped holes														[Blank]
or choose from Mounting Method Table														
Lock Patch														
Lock Patch														L
None														[Blank]

FINISH TABLE

CODE LETTER	SURFACE FINISH
[blank]	CHEMICAL FILM PER MIL-C-5541, CLASS 1A, GOLD, N ON ROHS COMPLIANT
CC	CHEMICAL FILM PER MIL-C-5541, CLASS 1A, CLEAR
EN	ELECTROLESS NICKEL PER MIL-C-26074, CLASS 4, GRADE B, BRIGHT
N	NICKEL PLATE PER QQ-N-290, CLASS 1, GRADE G, BRIGHT
B	BLACK ANODIZE PER MIL-A-8625, TYPE II, CLASS 2
B3	HARD BLACK ANODIZE PER MIL-A-8625, TYPE III, CLASS 2
B3D	HARD BLACK ANODIZE WITH DRY FILM LUBE PER MIL- L-46010

MOUNTING METHOD TABLE

CODE LETTER	METHOD
[blank]	2-56 UNC-2B TAPPED HOLE
R	RIVET MOUNT (Ø 1.70 + .10/- .03 (.067 + .004/.001) THRU □ Ø3.96 (.156) ±5.08 (.200) √ Ø 3.56 (.140) x 100°)
	RIVET "R" PARTS ARE SHIPPED UNASSEMBLED AND EXCLUDE ALIGNMENT PINS
A	NO MOUNTING HOLES
T	0-80 UNF-2B TAPPED HOLE
M2	M2 X .40 TAPPED HOLE
M	M2.5 X .45 TAPPED HOLE

*NOTE: FOR TORQUE LIMITING (TLC) VERSION:
VISUAL INDICATOR (VI), LOCK/FLAT WASHER (LF) NOT AVAILABLE
ONE ALIGNMENT SPRING FOR -10 TO -15 LENGTHS
MUST CLICK 3+ TIMES FOR PROPER INSTALLATION