



## RECOMMENDED GAP WIDTH

PCB + 7.62 (.300)

## RECOMMENDED TORQUE

80 N-cm (7 in-lbs)

## WEIGHT

1.28 g/cm (.115 oz/in)

## MATERIALS AND FINISH

### CHANNEL, WEDGES AND END PIECES

**Material:**

Aluminum Alloy 6061-T6 per ASTM-B-221

**Finish:**

See finish table on opposite page

### SCREW AND WASHERS

.09-in. or 2.5-mm hex. socket head cap screw, depending on mounting configuration

**Material:**

300 series stainless steel per QQ-S-763 ASTM A-582

**Finish:**

Passivated per AMS2700

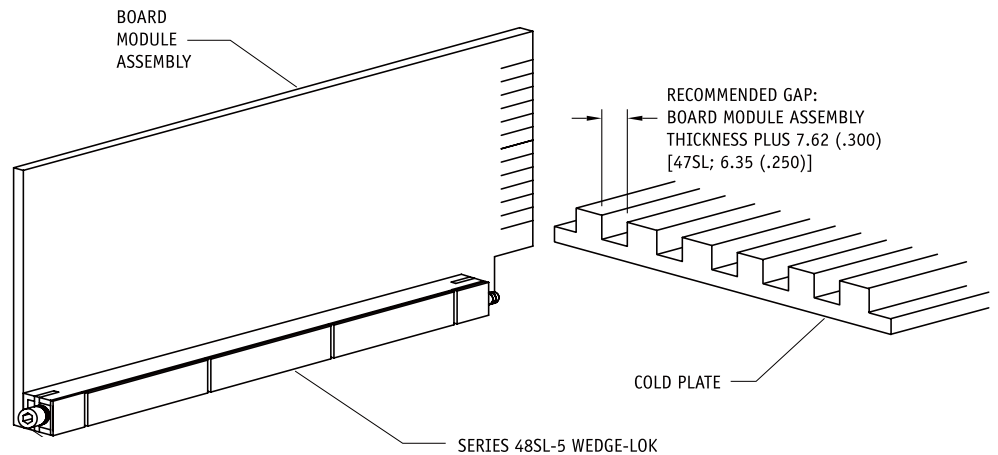
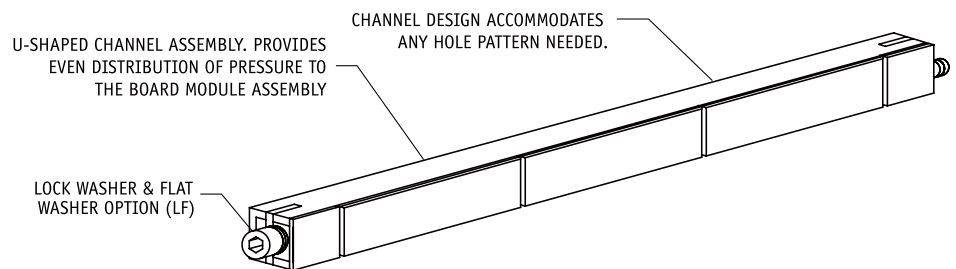
### OPTIONAL LOCK AND FLAT WASHER

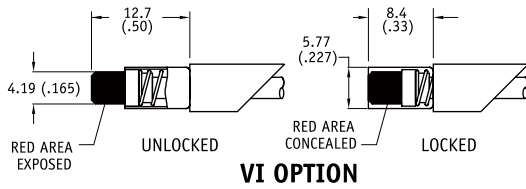
**Material:**

300 series stainless steel per QQ-S-763 and ASTM A-582

**Finish:**

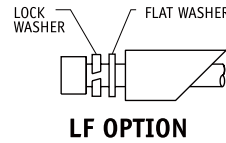
Passivated per AMS2700





### VI OPTION

Indicates assembly is unlocked  
(adds 5.1 (.20) to screw length)

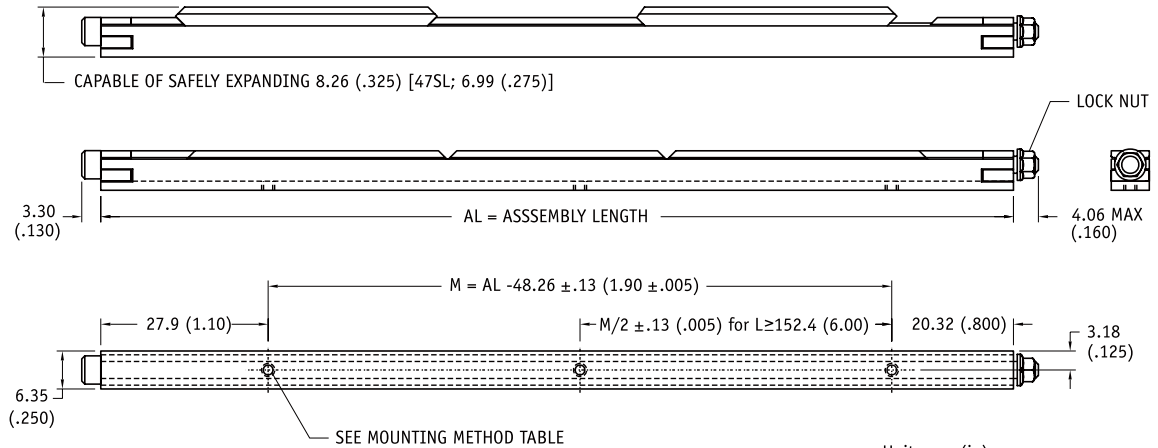


Provides additional resistance to shock and vibration  
(adds 2.5 (.10) to screw length)

2.4 (.09) HEX HEAD SOCKET SCREW PER ANSI/ASME B18.3  
2.5 mm SUPPLIED FOR METRIC MOUNTING

6.60 (.260)  
[47SL; 5.72 (.225)]

6.35 (.250)  
[47SL; 5.72 (.225)]



### MOUNTING METHOD TABLE

DASH #	METHOD
A	No Mounting Holes
S	2-56 UNC-2B
T	0-80 UNF-2B
M	M2.5 X .45 tapped hole
M2	M2 X .40 tapped hole

### FINISH TABLE

Code Letter	FINISH TABLE
C	Chemical Film per MIL-C-5541, Class 1a, Gold, non RoHS compliant
CC	Chemical Film per MIL-C-5541, Class 1A, Clear
EN	Electroless Nickel per MIL-C-26074, Class 4, Grade B, Bright
N	Nickel Plate per QQ-N-290, Class 1, Grade G, Bright (.0002")
B	Black Anodize per MIL-A-8625, Type II, Class 2, (.00005" - .0003")
B3	Hard Black Anodize per MIL-A-8625, Type III, Class 2 (.002")
B3D	Hard Black Anodize with Dry Film Lube per MIL-L46010

Part Number Code (See example below)	
Series 48SL-5 WEDGE-LOK Five-piece	ZB-48SL-5 VI S - 50 - B - LF
Optional Visual Indicator	
Visual Indicator _____ VI	
None _____ [Blank]	
Mounting	
2-56 UNC-2B tapped Holes _____ S	
Or choose from Mounting Method Table	
Length	
Length in 12.7 (.50) increments _____ 50 [127.0 (5.00)]	
_____ to 120 [304.8 (12.00)]	
Finish	
Black Anodized _____ B	
Or choose from Finish Table	
Washers	
Lock Washer and Flat Washer _____ LF	
None _____ [Blank]	

Part Number Code example: ZB-48SL-5S-48-C-LF

Series 48SL-5 WEDGE-LOK Five-piece High Thermal Transfer, 2-56 screw mount, 121.9-mm (4.80-in.) long, chem film, with lock washer and flat washer