

Series 280 Card Lok

RECOMMENDED GAP WIDTH

PCB + 10.8 mm (.425 in)

RECOMMENDED TORQUE

227 N-cm (20 in-lbs)
With "L" option 277 N-cm (24 in-lbs)

WEIGHT

2.18 g/cm (.195 oz/in)

MATERIALS AND FINISH

BODIES AND WEDGES

Material:

Aluminum Alloy 6061-T6 per per ASTM-B221 or AMS-QQ-A-200/8

Finish:

See finish table on opposite page

SHAFT

Material:

Aluminum alloy 7075-T6 per ASTM-B221 or AMS-QQ-A-200/11

Finish:

See finish table on opposite page

SCREW, LOCK AND FLAT WASHER

.09-in. or 2.5-mm hex. socket head cap screw, depending on mounting configuration

Material:

300 series stainless steel

Finish:

Passivated per AMS2700

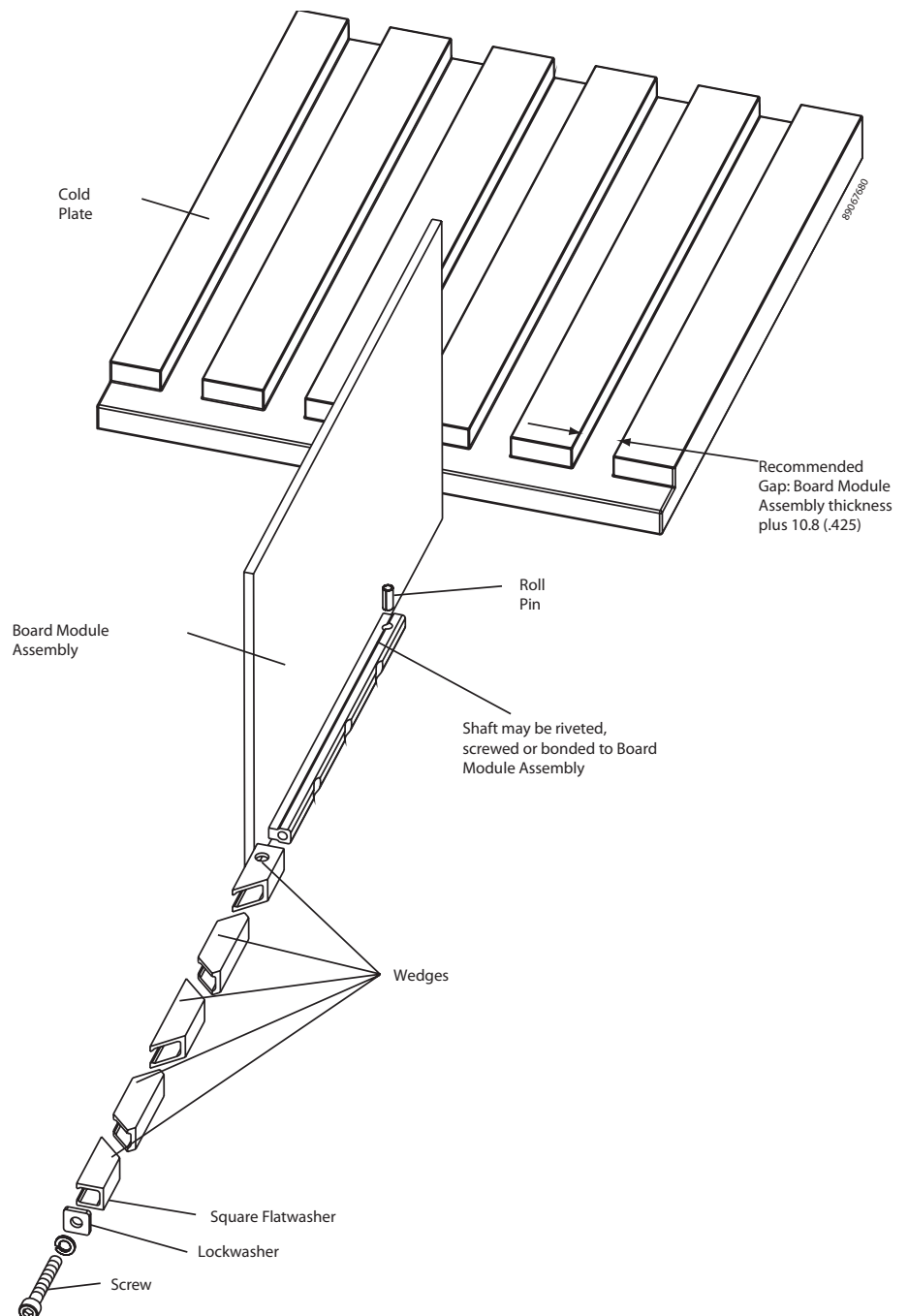
ROLL PIN

Material:

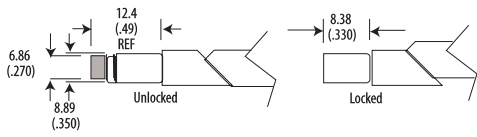
400 series stainless steel

Finish:

Passivated per AMS2700



Series 280 Card Lok



Detail "V"

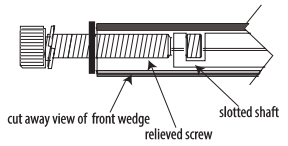
Provides visual lock indication



Lock element per MIL-F-18240 applied to thread of screw

Detail "L"

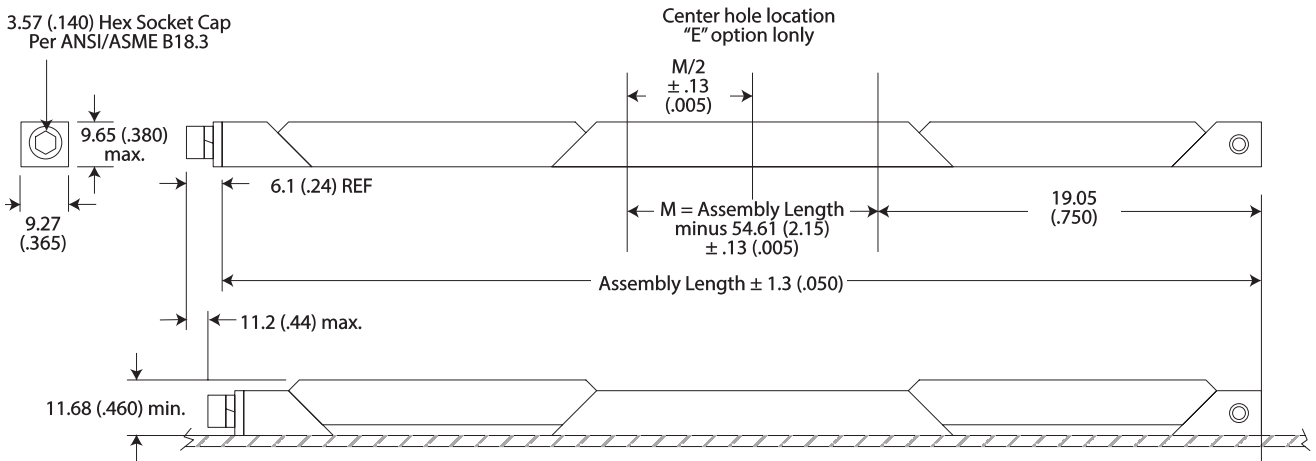
Provides prevailing torque for resistance to loosening from shock and vibration. Adds 50 N-cm (4 in-lbs) torque to assembly. See application data on previous sheet.



Detail "K"

Prevents the unintentional disassembly of screw from shaft.

3.57 (.140) Hex Socket Cap Per ANSI/ASME B18.3



Units: mm (in)

Unless otherwise specified:

.xx ± .25, .x ± .5 (.xxx

± .010, .xx ± .02) Note:

Each piece has a tolerance of ± .010

Two holes standard. Extra hole added with "E" option.

89067682

Part Number Code

Series 280 Card-Lok Five Piece

Prefix options

Metric Screw Head M3 Hex Drive _____ **M**

Standard Screw Head 9/64 Hex Drive _____ [blank]

Visual Indicator _____ **V**

No Visual Indicator _____ [blank]

Black Anodize _____ **A**

or choose from Finish Table _____ see table

Suffix options

Assembly length in inches. Standard lengths range from

96.52 (3.80), 121.9 (4.80) and 147.3 (5.80) _____ length.xx

Other lengths available upon request.

Additional Center Mounting Hole _____ **E**

None _____ [blank]

Mounting Options - holes for rivet mounting _____ **H**

or choose from Mounting Option Table _____ see table

Lock Element _____ **L**

None _____ [blank]

Captive Screw _____ **K**

None _____ [blank]

Z M V A 280 - 3.80 E H L K

FINISH TABLE

Code

Letter Finish

[blank]

Chemical Film per Mil-DTL-5541 Class 3, Gold

"R"

Chemical Film per Mil-DTL-5541 Class 3, Type II, Clear

"A"

Black Anodize per Mil-A-8625 Type II, Class 2

"HA"

Hard Black Anodize per Mil-A-8625 Type III, Class 2 Electroless

"EN"

Nickel per Mil-C-26074 Class 4, Grade B, Bright

MOUNTING METHOD TABLE

Code

Letter Method

"H"

Ø3.40/3.53 (.0134/.139) dia. through holes
countersink 60° x 3.81 (.150) deep

"T4"

4-40 tapped hole

"TM3"

M3 x 0.50 tapped hole

Part Number Code Example:

A280-4.80HK

Series 280 Card-Lok five piece 121.9 (4.80) long with black anodize finish, standard rivet mounting hole and captive screw option