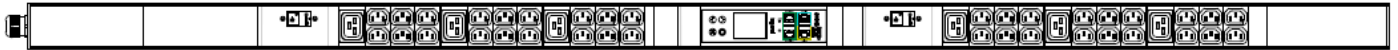


## Technical Specifications / Engineering Submittals

Raritan Model Number: PXC-1862JV

rev20190116

### LINE DRAWING



### FEATURES

Energy Metering	Voltage (V), Current (A), Active Power (kW), Real Power (kVA), Energy (kWh), Power Factor
Metering Accuracy	ISO/IEC 62053-21 1%
Metering per Input Line	Yes
Metering per Branch Circuit Breaker	Yes
Metering per Output Receptacle	No
Remote Outlet Switching	No
Environmental Sensor Ready	Yes
Replaceable Controller	No
Compatible Sensors	Temperature, Humidity, Air Flow, Differential Pressure, Water Leak, and Contact Closure
Networking	Two (10/100 BaseT) Ethernet ports. Optional WiFi (802.11a/b/g/n)
Remote Management	HTTP(s); SSH; Telnet; RS-232 (Serial); Power IQ; SNMP version v2/v3; SMTP; JSON-RPC
Cascading	Yes, Max 16 PDUs can be daisy chained using a single Ethernet or USB connection
Onboard Display	Color, matrix LCD display : Voltage, current, or active power (per line or per breaker); Alarms; Configuration information (name, ratings, IP / Networking information); Auto-flip orientation
Embedded Processor	ARM Cortex A5 500MHZ (Atmel A5D21B), 16MB SPI Flash, 64MB DDR2 RAM

## Technical Specifications / Engineering Submittals

Raritan Model Number: PXC-1862JV

rev20190116

### INPUT

Input Plug	NEMA L6-30P PSE (2P3W)
Cord Length	3 meters (9.84 feet) standard
Cord Entry	Bottom-bottom feed
Cable Type	IP44("splashproof")
Number of Power Cords	1
Maximum Input Current	30A
Nominal Input Voltage	200V, Single phase
Rated Input Voltage	200-200V
Input Frequency	50/60Hz
Power Capacity	6.0kVA at 200V, 6.0kVA at 200V

### OUTPUT

Nominal Output Voltage	200V
Rated Output Voltage	200-200V
Receptacles (Output Connections)	(36) C13, 10A (6) C19, 16A
Securelock Support	Yes
Cord Retention	Yes
Overload Protection	(2) LEJBXA66

### PHYSICAL

Color	Black powder coat (custom colors available)
Unit Dimensions (WxDxH)	59mm x 50mm x 1780mm; 2.3" x 2.0" x 70.1"
Mounting	Tool-less button mount

## Technical Specifications / Engineering Submittals

Raritan Model Number: PXC-1862JV

rev20190116

### ENVIRONMENTAL

---

Operating Temperature	60°C
Operating Relative Humidity	85%
Operating Elevation	0-10000ft

---

### CONFORMANCE

---

Regulatory Approvals	PSE, Canada ICES-003, Part 15 Class A of the FCC rules RoHS compliant
Warranty	Standard 2 years manufacturer warranty

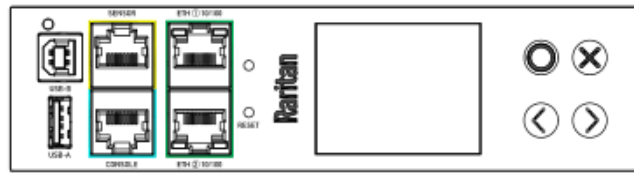
---

# Technical Specifications / Engineering Submittals

Raritan Model Number: PXC-1862JV

rev20190116

## CONTROL PANEL

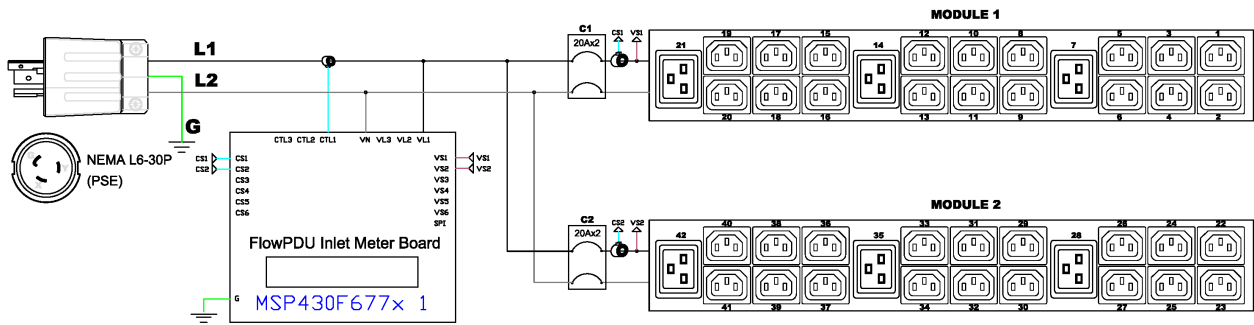


## Technical Specifications / Engineering Submittals

Raritan Model Number: PXC-1862JV

rev20190116

### ELECTRICAL (ONE LINE) DIAGRAM



## Technical Specifications / Engineering Submittals

Raritan Model Number: PXC-1862JV

rev20190116

### MECHANICAL DIAGRAM

